

Installation instructions

Brilliant Black ski and luggage box

For scope of delivery

4K0.071.200 Y9B

4K1.071.200 Y9B

4K2.071.200 Y9B

Audi Genuine Accessories

Edition 01



Contents

1	General notes	1
2	Safety instructions	2
2.1	General safety notes	2
2.2	Safety notes to be checked before and after each journey and when in use	3
2.3	Safety instructions for driving with the ski and luggage box	3
2.3.1	Altered vehicle height	3
2.3.2	Sensitivity to side winds	4
2.4	Safety notes for loading	4
2.4.1	Permissible roof load and loading	4
2.4.2	Opening area of the rear lid	5
2.4.3	Opening area of the panoramic tilting sunroof	5
2.4.4	Cargo	5
2.4.5	Effect of heat	5
2.4.6	Weather conditions	5
3	Scope of delivery and overview of components	6
3.1	Scope of delivery	6
3.2	Overview of components	6
4	Ski and luggage box	7
4.1	Installing the ski and luggage box	7
4.2	Removing the ski and luggage box	10
4.3	Transporting loads	10
4.3.1	Key number	10
4.3.2	Opening and closing the ski and luggage box	10
4.3.3	Loading the ski and luggage box	11
4.3.4	Securing the load	12
4.4	Cleaning instructions	12
4.5	Technical data	13



1 General notes

Please read these instructions carefully and note the Warning, Caution and Note descriptions before installing the ski and luggage box.



WARNING

Text with this symbol contains information concerning your safety and indicates potential accident and injury risks.



Caution

Text with this symbol indicates the risk of damage to your vehicle.



Note

Text with this symbol contains additional information.

Audi AG shall not accept responsibility in the event of failure to comply with these installation instructions



2 Safety instructions

2.1 General safety notes

 **WARNING**

Please read these assembly instructions carefully before starting installation. Non-compliance with these installation instructions and safety notes will compromise your safety and that of third parties.

 **WARNING**

The driver is responsible for making sure that his view and ability to hear are not impaired by his load or by the condition of the vehicle.

He must make sure that the load does not prevent the vehicle from complying with regulations and that road safety is not compromised.

 **WARNING**

All bolt connections and connections for the roof bars and for the ski and luggage box must be checked prior to travelling to make sure they are positioned and installed correctly. Tighten where necessary.

Recheck bolted connections and connections at appropriate intervals and tighten if necessary. The bolted connections and connections must be checked at short intervals if travelling on a poor stretch of road.

If this guideline is not observed, this can result in the ski and luggage box becoming loose or falling off — risk of accident!

 **WARNING**

For the safety of other road-users, the roof bars and the ski and luggage box must be removed from the vehicle when not in use.

 **WARNING**

Repairs or the replacement of parts must only be performed by a qualified workshop. It is recommended that genuine spare parts available from your Audi partner are used.

 **Caution**

Do not enter a car wash with the ski and luggage box and roof bars mounted.

 **Note**

- ◆ *Observe the relevant statutory regulations for using ski and luggage boxes in other countries.*
- ◆ *Remove the ski and luggage box when not in use.*
- ◆ *We reserve the right to make technical changes.*



2.2 Safety notes to be checked before and after each journey and when in use

WARNING

Check that the ski and luggage box is securely attached:

- ◆ *Before the start of every journey,*
- ◆ *After approx. 10 km of the journey,*
- ◆ *approx. every 300 km on good roads*
- ◆ *Frequently on poor roads (due to vibration),*
- ◆ *Regularly to make sure that there has been no movement/displacement.*

If the ski and luggage box is not checked to make sure that it is secure and to check whether any fasteners need tightening, it could work loose and parts might be lost, despite the luggage box being mounted properly — risk of accident!

In the event of a change in position, drive at a reduced speed until the next opportunity to stop safely and then re-tighten bolted connections and fasteners on the ski and luggage box.

2.3 Safety instructions for driving with the ski and luggage box

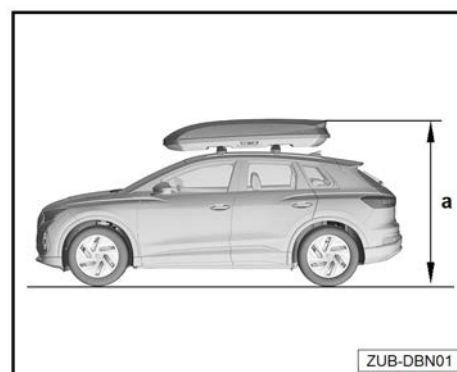
2.3.1 Altered vehicle height

Caution

Fitting a ski and luggage box changes the height of your vehicle.

Pay particular attention to:

- ◆ *Low-hanging branches*
 - ◆ *Passages with reduced head-room clearance*
 - ◆ *Entrances to garages with reduced head-room clearance*
 - ◆ *Height restrictions in multi-storey car parks and underground car parks.*
- Calculate the height of the vehicle -a- with the ski and luggage box fitted and write this height down on the safety sticker supplied.
 - Place the safety sticker clearly in the driver's field of vision.





2.3.2 Sensitivity to side winds

WARNING

The load affects driving and braking behaviour and the vehicle's sensitivity to side winds. Adapt your driving style accordingly – risk of accident!

Do not exceed the maximum speed of 130 km/h (81 mph).

When driving in strong side winds, make sure that you take extra care:

- ◆ *when moving into and out of the slipstreams of lorries*
- ◆ *when driving past hedgerows, trees, walls and buildings as well as any other wind barriers,*
- ◆ *when driving over bridges*

2.4 Safety notes for loading

2.4.1 Permissible roof load and loading

Caution

The maximum load of the ski and luggage boxes 4K0.071.200 Y9B, 4K1.071.200 Y9B and 4K2.071.200 Y9B is 75 kg (165 lbs) and must not be exceeded.

When loading the ski and luggage box, you must take into account the weight distribution, the maximum roof load of your vehicle, the maximum load of the ski and luggage box and the load height.

The maximum roof load of the vehicle and the roof bar system must not be exceeded ⇒ operating instructions for your vehicle and the roof bar system; the lowest value applies in all cases.

This is calculated by adding together:

- ◆ *Weight of roof bar system*
- ◆ *Weight of the ski and luggage box (see table ⇒ **“Technical data”** on page 13)*
- ◆ *The weight of the load*

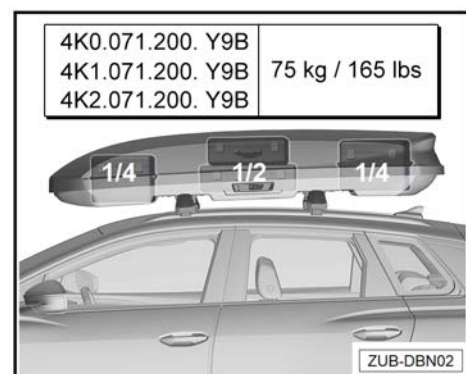
When loading, pay attention to the load height to make sure that the ski and luggage box can be securely closed.

You must not attach additional loads to the outside of the ski and luggage box.

If possible, transport heavy objects inside the vehicle.

*When transporting loads, your vehicle's centre of gravity shifts, which also alters driving behaviour ⇒ **“Safety instructions for driving with the ski and luggage box”** on page 3*

Only load and unload the roof box from the side of the vehicle facing away from the road.

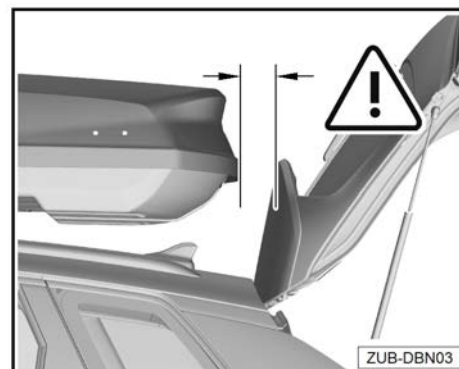




2.4.2 Opening area of the rear lid

⚠ Caution

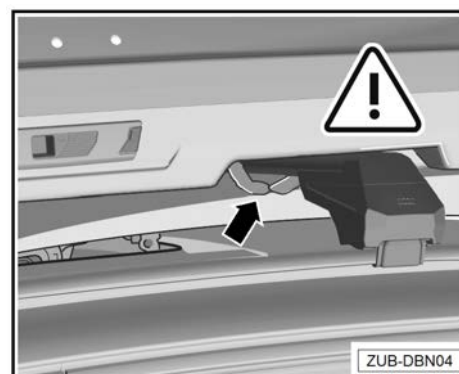
To prevent damage to the vehicle, make sure that you open the rear lid carefully when the ski and luggage box is mounted. For vehicles featuring automatic rear lid operation, it is recommended that you adjust the opening angle as required ⇒ Vehicle Owner's Manual.



2.4.3 Opening area of the panoramic tilting sunroof

⚠ WARNING

If you install the ski and luggage box on a vehicle with a panoramic tilting sunroof, do not open the panoramic tilting sunroof — risk of damage!



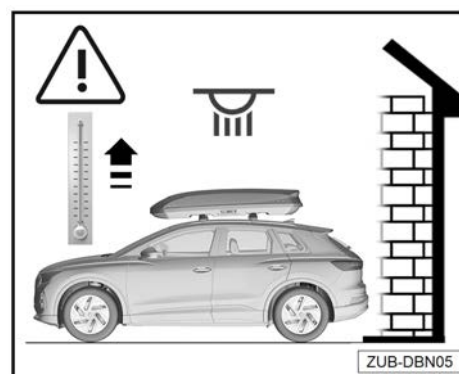
2.4.4 Cargo

⚠ WARNING

Do not transport stones – risk of accident and damage!

2.4.5 Effect of heat

- Do not place the ski and luggage box in the direct vicinity of heat sources (e.g. lamps, radiant heaters etc.).



2.4.6 Weather conditions

- Please be aware that the roof box is not 100% waterproof. In extreme situations, the roof box may be subject to small leaks.



3 Scope of delivery and overview of components

3.1 Scope of delivery

Quantity	Component
1	Ski and luggage box (including 4 fasteners)
3	Tensioning straps
2	Keys
1	Safety sticker
1	Installation instructions

3.2 Overview of components

1 - Ski and luggage box

2 - Tensioning straps

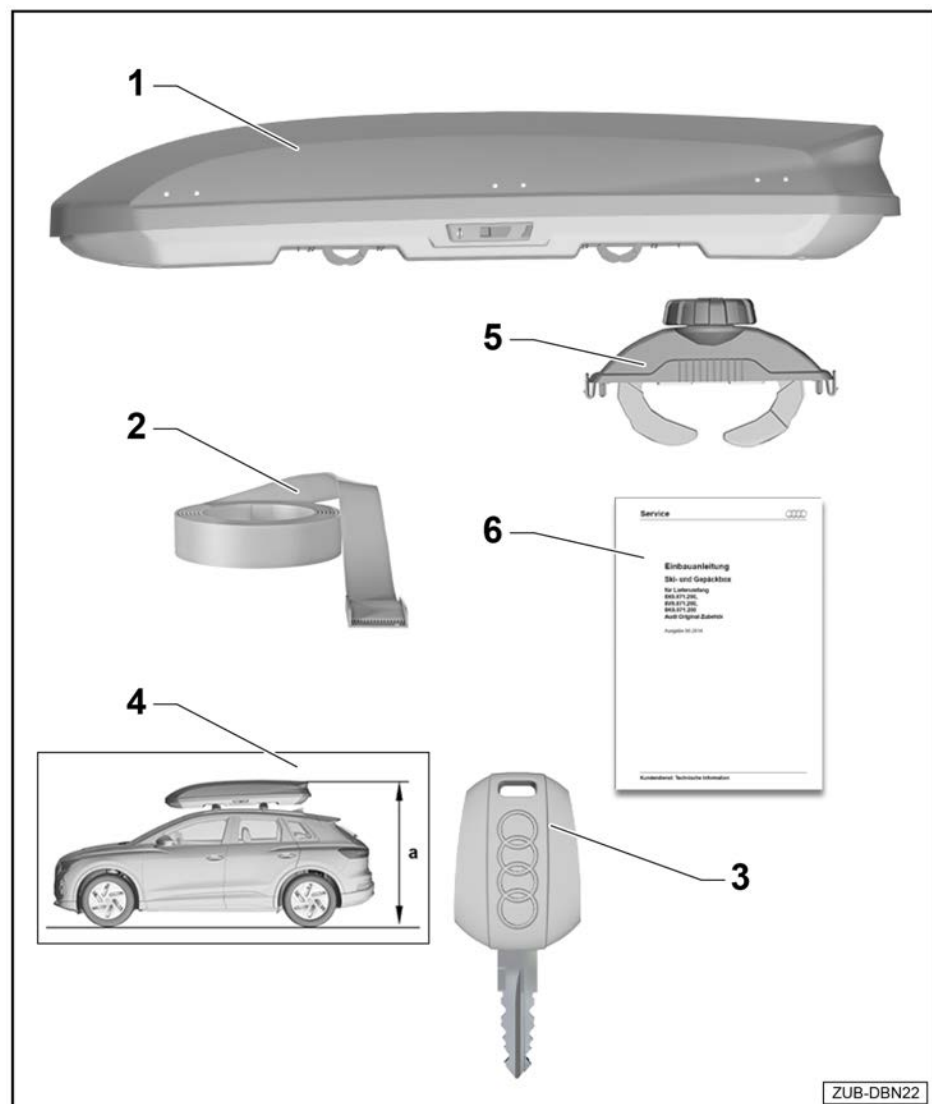
3 - Keys

4 - Safety sticker

5 - Fasteners

Pre-assembled

6 - Fitting instructions





4 Ski and luggage box

4.1 Installing the ski and luggage box

- Prior to installation, check that you have all the components from the scope of delivery.

The roof bars must be of an appropriate size and have an elastic contact surface (profile cover).

The ski and luggage box can be mounted on a range of commercially available roof bars using the included fasteners, when the carrier bars are the required dimensions:

a - 18 to 30 mm

b - A maximum of 90 mm

WARNING

If the ski and luggage box is only partly or insufficiently attached, there is the risk that it will become loose during travel and fall from the roof — risk of accident!

- To make sure the ski and luggage box is fitted securely, mount the roof bars to the vehicle while observing the installation instructions for the roof bars and the vehicle information.

The distance -a- between the roof bars must be between 560 mm and 930 mm (measured from the middle of one carrier bar to the middle of the other).

Note

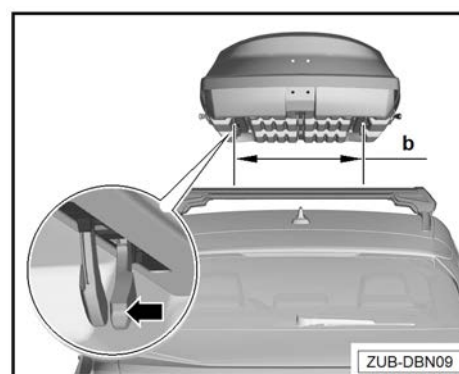
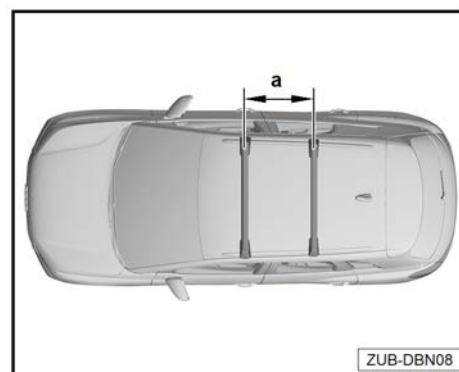
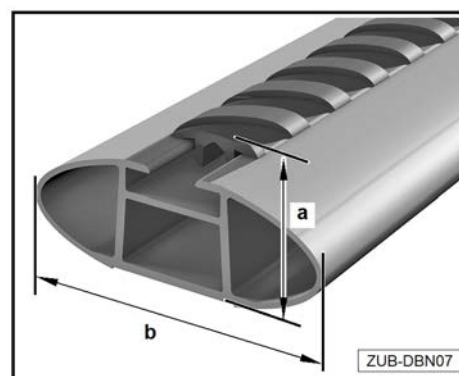
The largest distance -a- possible should always be selected.

To make sure the ski and luggage box is fitted securely using the fasteners provided, a freely accessible carrier bar area of min. -b- must be available; see table

Ski and luggage box	4K0.071.200 Y9B	4K1.071.200 Y9B	4K2.071.200 Y9B
Distance -b- between the fasteners in mm	410 mm	565 mm	585 mm

Caution

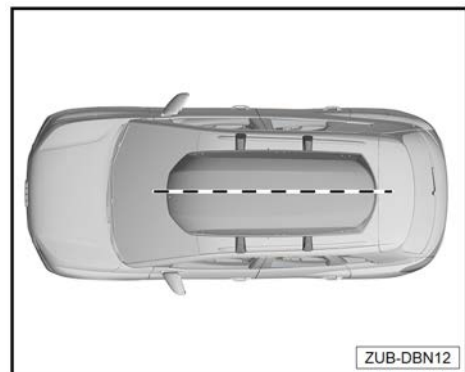
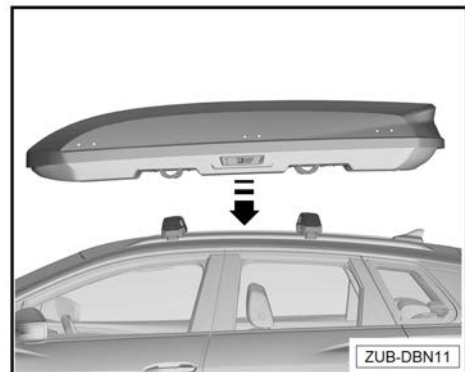
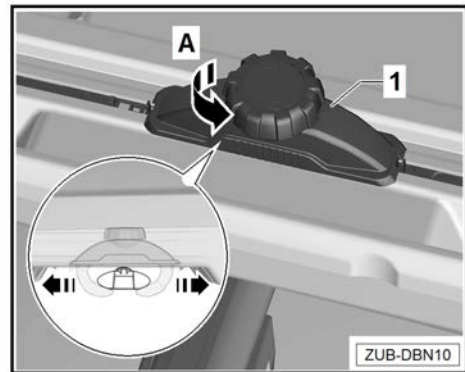
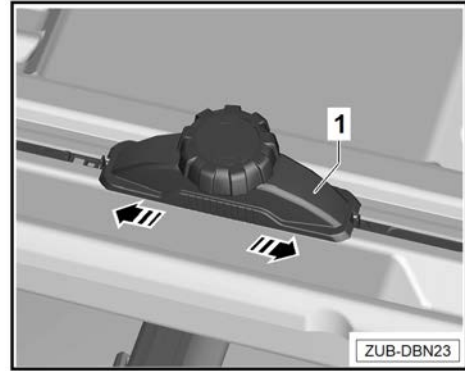
If the specified distances cannot be complied with, the ski and luggage box may not be installed using fasteners.





The ski and luggage box is equipped with sliding fasteners -1-, which allow the box to be fitted without the need for any tools.

- Open ⇒ **“Opening and closing the ski and luggage box” on page 10** the ski and luggage box .
- Turn the hand wheel -1- on the fastener as far as it will go in an anti-clockwise direction -arrow A-. The fastener catches open -arrows-.
- Position the ski and luggage box on the roof bars in the direction of travel.
- Centre the ski and luggage box as much as possible in the direction of travel.



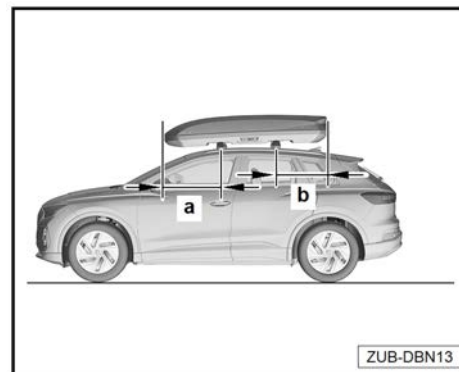


- Ensure that there are identical overhangs to the front -a- and rear -b- of the roof bars.

⚠ Caution

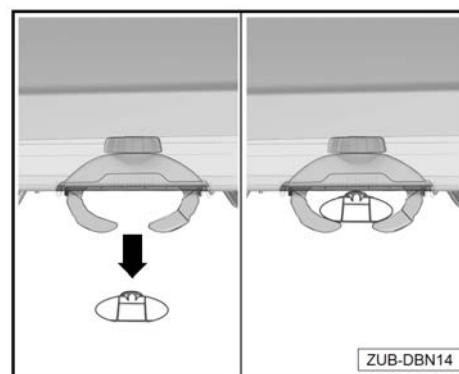
Take care not to damage the roof with the fasteners when fixing the ski and luggage box in position.

On vehicles with a tailgate, there may be circumstances in which the tailgate makes contact with the ski and luggage box when it is opened.

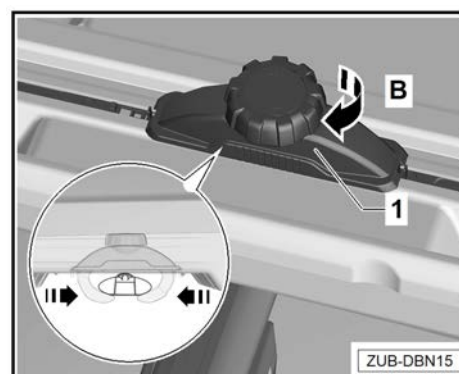


i Note

- ◆ If possible, position the ski and luggage box in such a way that the tailgate can open easily.
- ◆ Always open the tailgate carefully.
- ◆ For vehicles featuring automatic tailgate operation, the opening angle of the tailgate can be specified ⇒ Vehicle Owner's Manual.
- Slide the fasteners so that they are all positioned centrally on the roof bars.



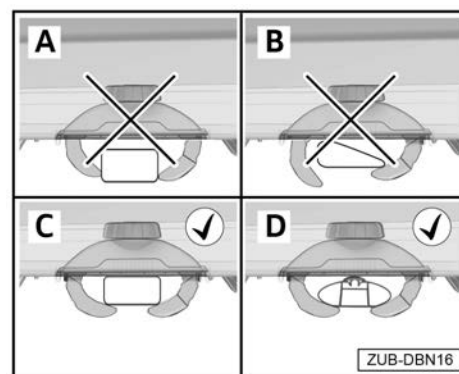
- Turn the hand wheel -1- on the fastener in a clockwise direction by hand until there is an audible clicking sound, -arrow B-. The fastener catches are closed -arrows-.



- Check that the fastener catches are in the correct installation position.

i Note

- ◆ The ski and luggage box must not be used if the fastener catches are in the positions shown in -A- and -B-.
- ◆ The ski and luggage box may only be used if the fastener catches are in even contact with the roof bars as shown in -C- and -D-.
- Check that the ski and luggage box is fixed and securely attached.



⚠ WARNING

If the ski and luggage box is only partly or insufficiently attached, there is the risk that it will become loose during travel and fall from the roof — risk of accident!



4.2 Removing the ski and luggage box

- The bicycles are removed by following the above steps in reverse order.

4.3 Transporting loads

4.3.1 Key number

Note

Two keys for opening and closing the ski and luggage box are included in the scope of delivery.

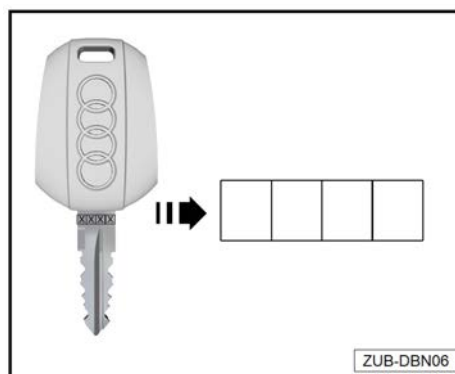
In the event that the keys become faulty or are lost, it is possible to request replacements from the manufacturer using the key numbers.

The key number is found on the key bit.

- Make a note of the key number in the space provided beside the illustration of the key.

Note

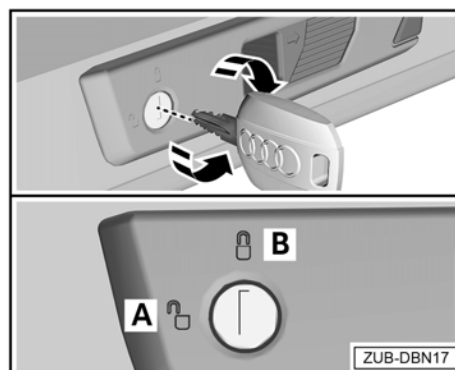
- ◆ The key number is needed to order a suitable replacement key,
- ◆ which you can obtain from your Audi partner or a qualified workshop.



4.3.2 Opening and closing the ski and luggage box

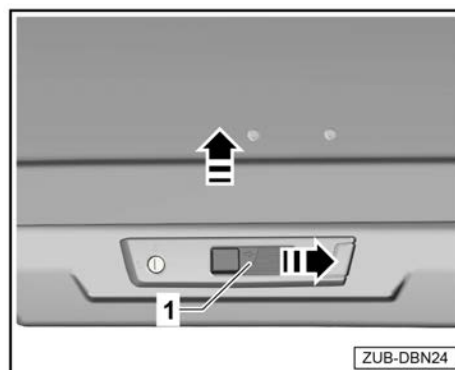
Unlocking the ski and luggage box

- Turn the key to -position A-.



Opening the ski and luggage box

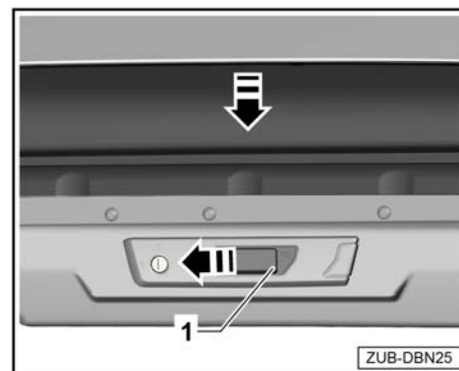
- Push the catch -1- of the ski and luggage box to the right -arrow-. This opens the lid of the roof box.





Closing the ski and luggage box

- Pull the lid down until it audibly clicks into place. The catch -1- of the ski and luggage box automatically moves to the left -arrow- and the roof box fastens shut.

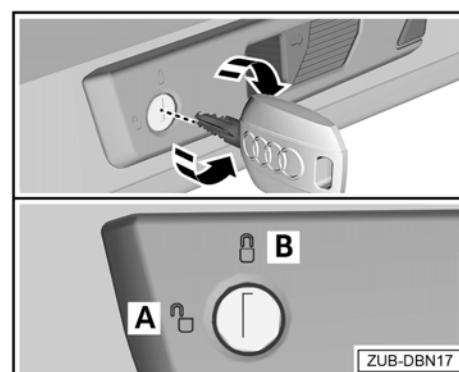


Locking the ski and luggage box

- Turn the key to -position B- to lock the roof box.

Note

- ◆ The key cannot be removed while the ski and luggage box is open.
- ◆ The ski and luggage box can be opened from both sides; the opposite side must be locked to do so.

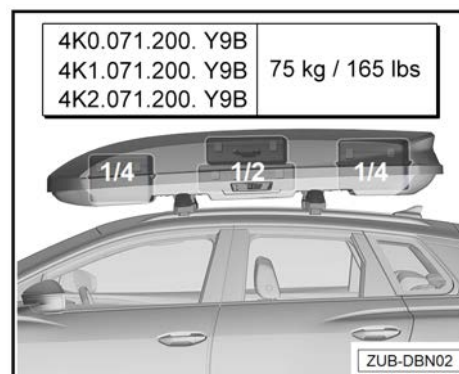


4.3.3 Loading the ski and luggage box

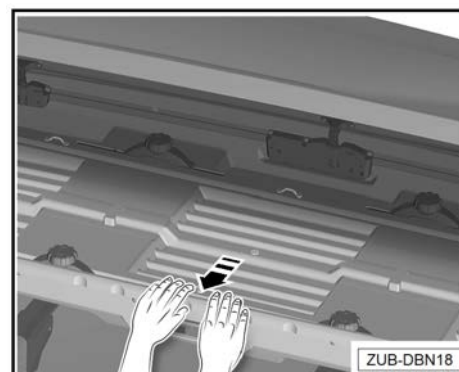
- Distribute load as shown in the diagram.

Note

- ◆ Heavy loads should be positioned in the centre.
- ◆ The maximum load of the roof boxes 4K0.071.200 Y9B, 4K1.071.200 Y9B and 4K2.071.200 Y9B is 75 kg/165 lbs and must not be exceeded.



- Do not pull the bottom of the ski and luggage box -arrow-.



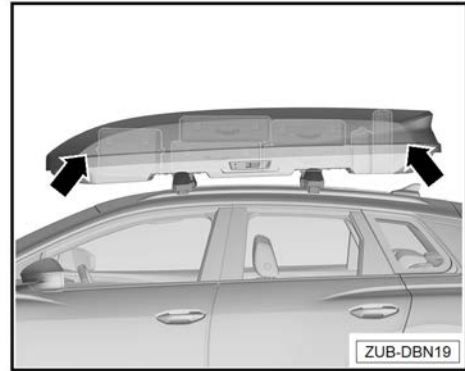


- Please make sure that the load does not press against the lid, and the ski and luggage box can be closed securely.

Note

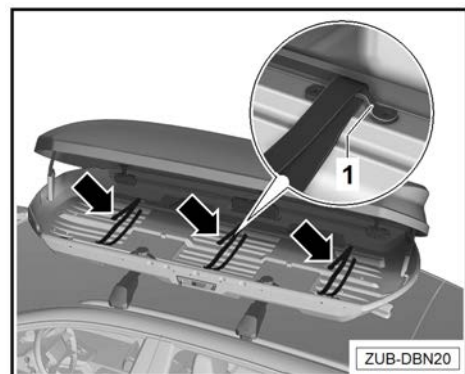
The ski and luggage box must not remain open -arrows-.

- Secure ⇒ “Securing the load” on page 12 the load against sliding .



4.3.4 Securing the load

- Open the ski and luggage box. ⇒ “Opening and closing the ski and luggage box” on page 10
- Feed the tensioning straps -arrows- through the retaining brackets -1- in the ski and luggage box.



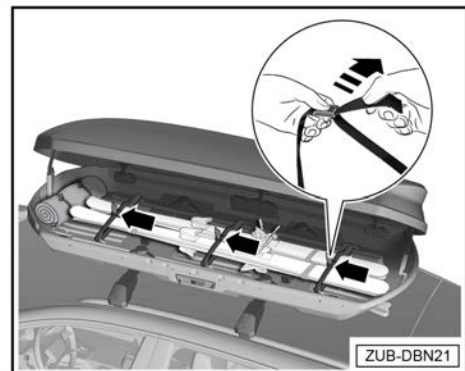
- Always secure the load using the tensioning straps -arrows-.

WARNING

If the load is not secured at all or insufficiently, there is the risk that the ski and luggage box will become loose during travel and fall from the roof — risk of accident!

Caution

If the load is not secured at all or insufficiently, the ski and luggage box may be damaged.



4.4 Cleaning instructions

Note

The ski and luggage box should be thoroughly cleaned and maintained, especially during the winter months. Use only a solution made up of water and a commercial household detergent that does not contain alcohol, chlorine or ammonia additives, so as not to damage the surface of the ski and luggage box. Please do not use commercially available cockpit sprays to clean the ski and luggage box. Locks must be lubricated with a spray lubricant (lubricant must be kept away from the plastic surface).



4.5 Technical data

Ski and luggage box	4K0.071.200 Y9B	4K1.071.200 Y9B	4K2.071.200 Y9B
Empty weight approx.	15 kg/33 lbs	17 kg/37.4 lbs	23 kg/50.6 lbs
Max. load	75 kg/165 lbs	75 kg/165 lbs	75 kg/165 lbs
Exterior dimensions L/W/H approx.	1857 x 627 x 347 mm	1704 x 816 x 371 mm	2107 x 869 x 380 mm
Volume approx.	250 l	310 l	430 l