



Installation instructions

Audi Q5 (80A) 2017 ►

Audi Q7 (4M) 2016 ►

**CFP mirror cap set
for scope of delivery
80A.072.530* and 4M0.072.530*
Audi Genuine Accessories**

Edition 06.2016



Contents

1	General notes	1
2	Scope of delivery	2
3	Sequence of operations	3
3.1	Removing the mirror cap of the exterior mirror	3
3.2	Installing the CFP mirror cap for the exterior mirror	5
4	Appendices: Certificates, expert evaluations	7



1 General notes

Please read these instructions carefully and note the WARNING, Caution and Note descriptions before the “mirror caps” are installed.

 **WARNING**

Text with this symbol contains information regarding safety and indicates potential accident and injury risks.

 **Caution**

Text with this symbol indicates the risk of damage to the vehicle.

 **Note**

Text with this symbol contains additional information.

The pages that follow contain all of the information (subject to technical change) required to install and remove the mirror caps used on the vehicle.

Incorrect removal or installation may damage the mirror caps.

 **WARNING**

The mirror caps must be removed and installed by a qualified workshop.

Audi AG shall not accept responsibility in the event of failure to comply with these installation instructions.



2 Scope of delivery

Note

- ◆ Each mirror cap set features a component identifier, which is designed to enable clear identification of the product installed.
- ◆ The component identifier can be used to find the required replacement part via the ⇒ electronic parts catalogue (ETKA).

The CFP mirror cap set for the Q5/Q7 exterior mirror without Audi side assist 80A.072.530 comprises the following components:

Units	Description	Component identifier	Part number
1	CFP mirror cap (left)	80A.857.527.C	80A.072.531
1	CFP mirror cap (right)	80A.857.528.C	80A.072.532
1	Information sheet		

The CFP mirror cap set for the Q5/Q7 exterior mirror with Audi side assist 80A.072.530.A comprises the following components:

Units	Description	Component identifier	Part number
1	CFP mirror cap (left)	80A.857.527.B	80A.072.531.A
1	CFP mirror cap (right)	80A.857.528.B	80A.072.532.A
1	Information sheet		

The CFP mirror cap set for the Q5/Q7 exterior mirror without Audi side assist 4M0.072.530.B comprises the following components:

Units	Description	Component identifier	Part number
1	CFP mirror cap (left)	4M0.857.527.F	4M0.072.531
1	CFP mirror cap (right)	4M0.857.528.F	4M0.072.532
1	Information sheet		

The CFP mirror cap set for the Q5/Q7 exterior mirror with Audi side assist 4M0.072.530.C comprises the following components:

Units	Description	Component identifier	Part number
1	CFP mirror cap (left)	4M0.857.527.G	4M0.072.531.A
1	CFP mirror cap (right)	4M0.857.528.G	4M0.072.532.A
1	Information sheet		



3 Sequence of operations

3.1 Removing the mirror cap of the exterior mirror

Special tools and workshop equipment required

- ◆ Suction lifter -VAG 1344-
- ◆ Protective gloves

WARNING

Wear protective gloves to remove the mirror cap – risk of injury!

Caution

Mask the area around the mirror housing with fabric tape to protect the paintwork.

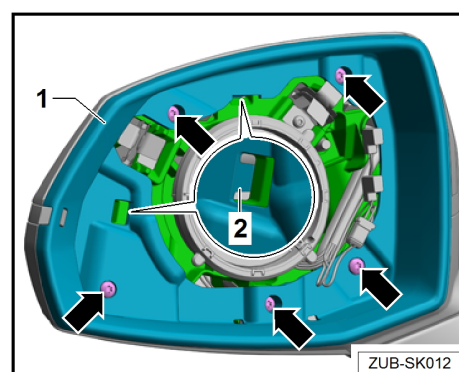
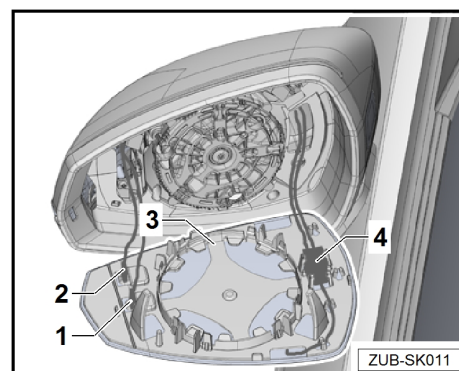
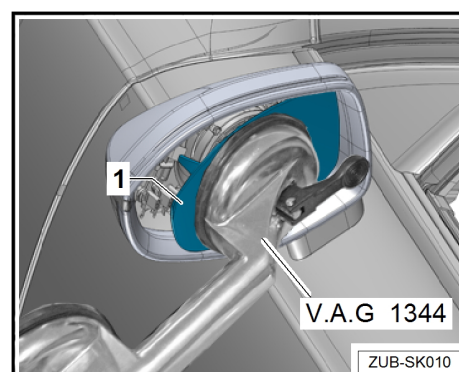
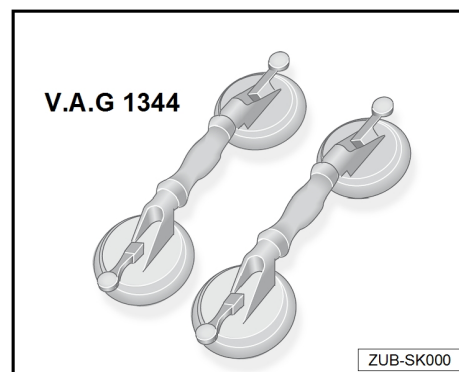
Removing the mirror glass for the exterior mirror:

- Attach the suction lifter -VAG 1344- to the centre of the mirror glass -1-.
- With the assistance of a second person, hold the mirror in position and carefully remove the mirror glass from the mirror adjustment unit using the suction lifter -VAG 1344-.

- If an electrical connector for heating the mirror glass -1- and -2- is present, remove it from the back of the mirror glass -3- (equipment variant).
- If electrical connectors for automatic mirror dimming -4- are present, unclip them from the bracket and disconnect them (equipment variant).

Removing the mirror trim for the exterior mirror:

- Unscrew the securing bolts -arrows- from the mirror trim -1-.
- Release the retaining lugs -2- for the mirror trim.

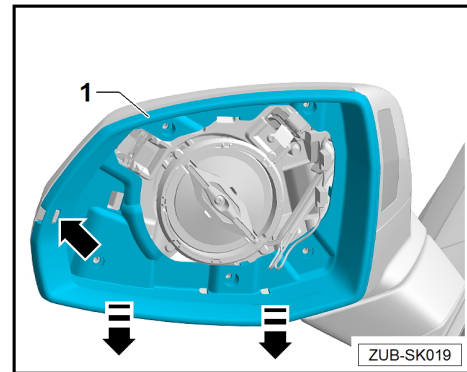




- Remove the mirror trim -1- by pulling the trim forwards in the -direction indicated by the arrow-.

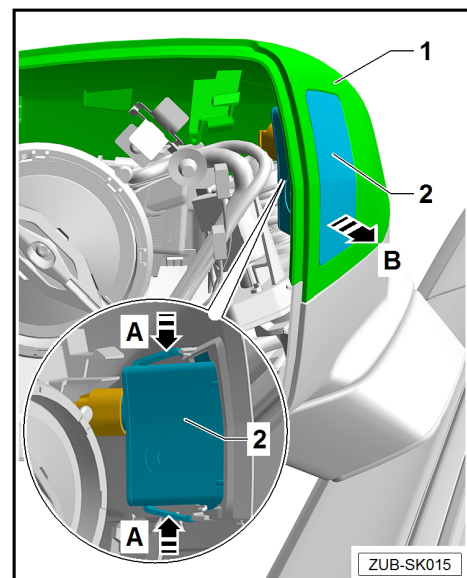
⚠ Caution

When removing the mirror trim -1-, be careful with the bulb for the turn signal -arrow- in the exterior mirror.

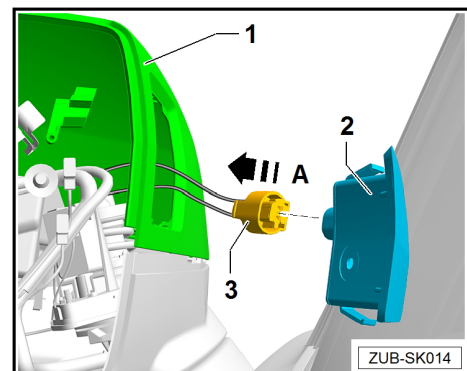


Removing the warning lamp for Audi side assist (equipment variant):

- Release the retaining lugs for the warning lamp for Audi side assist -2- in -the direction of arrow A-.
- Press the warning lamp for Audi side assist -2- out of the mirror cap -1- in -the direction indicated by arrow B-.

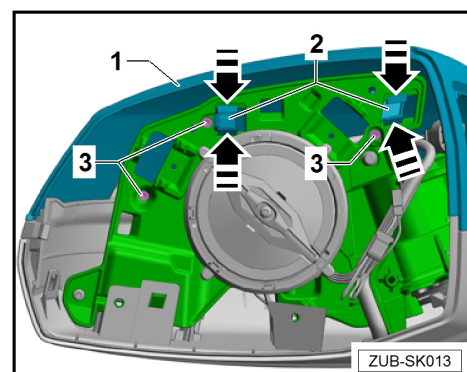


- Disconnect electrical connector -3- for the warning lamp for Audi side assist -2-.
- Feed the wires of the electrical connector -3- for the warning lamp for Audi side assist -2- inwards through the opening in the mirror cap -1- in -the direction indicated by arrow A-.



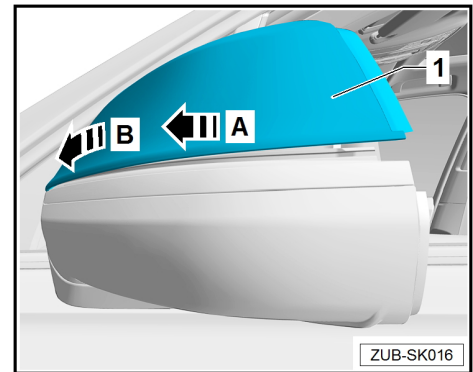
Remove the mirror cap:

- Undo the screws -3-.
- Release the retaining lugs -2- of the mirror cap in -the direction of the arrow-.





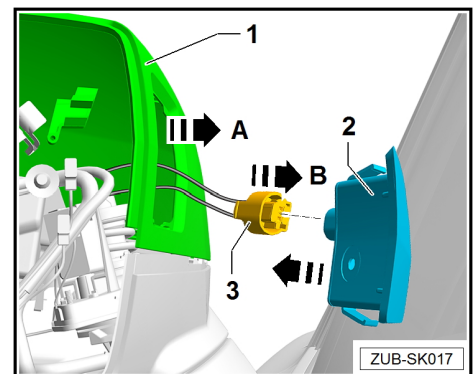
- Slide the mirror cap -1- in the -direction indicated by arrow A- and pull the mirror cap downwards in the -direction indicated by arrow B- to disconnect it.



3.2 Installing the CFP mirror cap for the exterior mirror

Installing the warning lamp for Audi side assist in the exterior mirror (equipment variant):

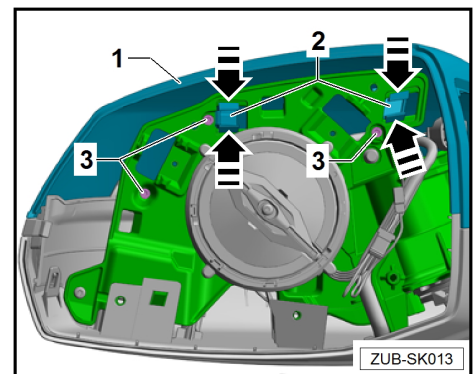
- Feed the wires of the electrical connector -3- for the warning lamp for Audi side assist through the opening in the mirror cap -1- in the -direction indicated by arrow A-.
- Engage electrical connector -3- in the warning lamp for Audi side assist -2- in the -direction indicated by arrow B-.
- The warning lamp for Audi side assist -2- must be inserted into the mirror cap -1- in -the direction of the arrow- and must audibly engage.



Installing the CFP mirror cap -2- for the exterior mirror:

Installation is carried out in reverse order: ⇒ [Page 4](#)

- Screw securing bolts -3- into the mirror cap -1- to the relevant torque.



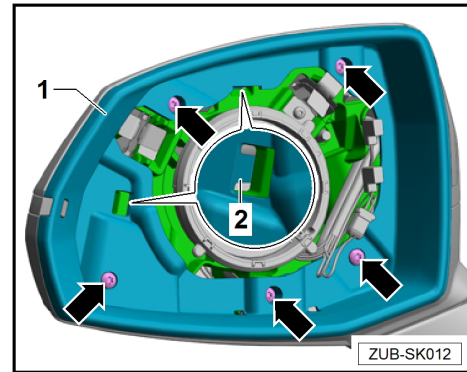
Tightening torque	Nm
Securing bolt -arrows- for mirror cap	1.5



Installing the mirror trim for the exterior mirror:

Installation is carried out in reverse order: ⇒ [Page 3](#)

- Screw securing bolts -arrows- into the mirror trim -1- to the relevant torque.



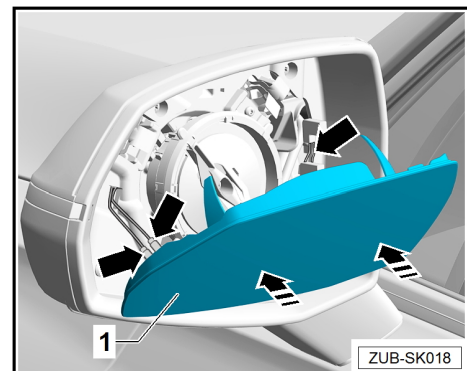
Tightening torque	Nm
Securing bolt -arrows- for mirror trim	1.5

Installing the mirror glass:

- Reconnect the electrical connectors for automatic mirror dimming and exterior mirror heating -arrows- on the back of the mirror glass (equipment variant).
- Position the mirror glass -1- on the mirror adjustment unit and press the mirror glass in the -direction indicated by the arrow-.

⚠ Caution

When positioning the mirror glass on the mirror adjustment unit, only press in the centre of the mirror glass – risk of breakage!





4 Appendices: Certificates, expert evaluations

The following are included after the installation instructions:

- ◆ Excerpt from the design certification issued by the German Federal Motor Transport Authority
- ◆ Certificate from TÜV SÜD Auto Service GmbH (Technischer Überwachungsverein/Technical testing organisation)

 **Note**

Enclose any required country-specific documents from the appendix with the vehicle documents, so that these can be presented to authorised persons upon request.