

Installation instructions

Ski rack

For scope of delivery

4M8.071.129

Audi Genuine Accessories

Edition 01





Contents

1	General notes	1
2	General safety notes	2
3	Safety notes	3
4	Scope of delivery and overview of components	6
4.1	Scope of delivery	6
4.2	Overview of components	6
5	Preparatory work on the ski rack	7
5.1	Mounting the insert for attachment piece and the attachment piece	7
5.2	Attaching the lock	7
6	Preparing the carrier unit	8
7	Mounting the ski rack on the carrier unit	9
8	Loading the ski rack	12
8.1	Maintenance instructions	13
8.2	Removing the ski rack from the carrier unit	14



1 General notes

Please read these instructions carefully and note the WARNING, Caution and Note descriptions before installing the ski rack.



WARNING

Text with this symbol contains information concerning your safety and indicates potential accident and injury risks.



Caution

Text with this symbol indicates the risk of damage to your vehicle.



Note

Text with this symbol contains additional information.

AUDI AG shall not accept responsibility in the event of failure to comply with these installation instructions.



2 General safety notes

 **WARNING**

Please read these assembly instructions carefully before starting installation. Non-compliance with these installation instructions and safety notes will compromise your safety and that of third parties.

 **WARNING**

All bolted connections and connections for the carrier units and for the ski rack must be checked prior to travelling to make sure that they are correctly positioned and installed. Tighten if necessary.

Recheck bolted connections and connections at appropriate intervals and tighten if necessary. The bolted connections and connections must be checked at short intervals if travelling on a poor stretch of road.

If these guidelines are not observed, this can result in the carrier unit or the ski rack becoming loose or falling off – risk of accident!

 **WARNING**

For the safety of other road-users, the carrier unit and ski rack must be removed from the vehicle when they are not being used.

 **WARNING**

Repairs or the replacement of parts must only be performed by a qualified workshop. It is recommended that genuine spare parts available from your Audi partner are used.



3 Safety notes

⚠ WARNING

The procedures and safety notes detailed in these instructions for the installation, handling and use of the ski rack must always be observed.

- ◆ *Deviating from these instructions even slightly can cause the ski rack or the mounted skis or snowboards to come loose.*
- ◆ *The ski rack is designed such that the vehicle will not be damaged if components are installed, handled and used properly.*
- ◆ *The manufacturer is not liable for any damage resulting from failure to comply with the installation procedure or notes specified.*
- ◆ *All forms of warranty claim against the manufacturer are invalidated if installation, handling or use of the components is not carried out as specified in these instructions.*

⚠ WARNING

The ski rack for the carrier unit is only suitable for transporting skis or snowboards.

- ◆ *Replace damaged components immediately.*
- ◆ *Do not use any additional elasticated straps or bungee cords to secure skis or snowboards.*

Roof load and ski rack load

⚠ WARNING

Never exceed:

- ◆ *the maximum permissible roof load,*
- ◆ *the gross axle weight rating,*
- ◆ *and the gross vehicle weight rating*

for your vehicle ⇒ Vehicle Owner's Manual – Risk of accident!

Loading the ski rack

⚠ Caution

- ◆ *The ski rack can be loaded with the following equipment ¹⁾ up to a maximum weight of 35 kg (77.2 lbs).*

Calculating the roof load	
Carrier units	approx. 6.0 kg (13.2 lbs)
+	
Ski rack -625 mm contact width- ⁽¹⁾	5.4 kg (11.9 lbs)
+	
Ski/Snowboard (max. 35 kg [77.2 lbs])	x kg (lbs)
=	
≤ Max. roof load	⇒ Vehicle Operating Manual

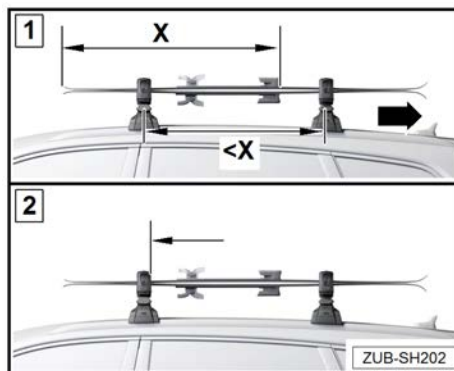
¹⁾ Equipment: max. 2x snowboards or 5x cross-country skis or 5x downhill skis or a mixture – risk of damage!



⚠ WARNING

- 1 - The ski/snowboard must be secured so that the distance -X- between the binding and the end of the ski is greater than the distance between the carrier units.

- 2 - The ski/snowboard must be secured -arrow- so that the binding components do not rub against the ski rack – risk of damage!



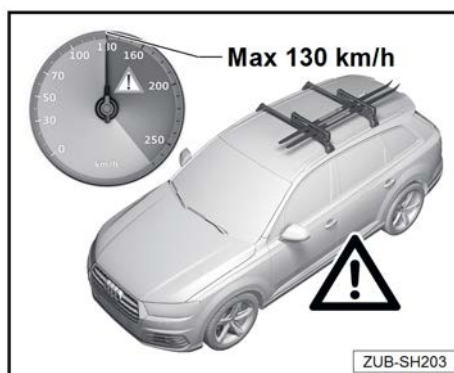
⚠ WARNING

After loading the ski rack, carefully check whether it is still possible to open the panorama glass roof – risk of damage!

Maximum speed

⚠ WARNING

It is recommended that you do not exceed 130 km/h (81 mph).



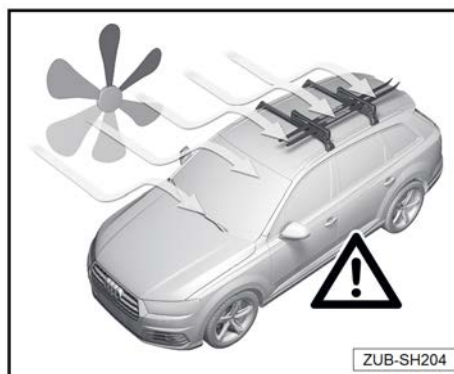
Sensitivity to side winds

⚠ WARNING

The driving and braking behaviour and the vehicle's sensitivity to side winds are changed due to roof load. Adapt your driving style accordingly – risk of accident!

When driving in strong side winds, make sure that you take extra care:

- ◆ when moving into and out of the slipstreams of lorries
- ◆ when driving past hedgerows, trees, walls and buildings as well as any other wind barriers,
- ◆ when driving over bridges





Vehicle height

WARNING

Check that the ski rack and the skis or snowboards being transported are held securely:

Note the altered vehicle height. Pay particular attention to:

- ◆ **Low-hanging branches**
- ◆ **Passages with reduced head-room clearance,**
- ◆ **Entrances to garages with reduced head-room clearance,**
- ◆ **Height restrictions posed by multi-storey car parks, underground car parks, bridges, tunnels and underpasses.**



Opening area of the rear lid

Caution

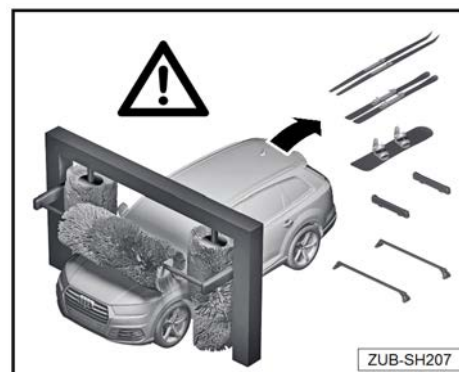
When the ski rack is mounted, make sure that you open the rear lid carefully to avoid damaging the vehicle. For vehicles featuring automatic rear lid operation, it is recommended that you adjust the opening angle as necessary → Vehicle Owner's Manual.



Car wash

Caution

Do not enter a car wash with a carrier unit installed, with or without a ski rack.



Information regarding the use of the ski rack

Note

- ◆ **Place skis and cross-country skis on the ski rack with their tips facing towards the rear of the vehicle.**
- ◆ **Driving with the ski rack attached can cause increased wind noise.**
- ◆ **Observe the relevant statutory regulations for using ski racks in other countries.**
- ◆ **Remove the ski rack when not in use.**
- ◆ **We reserve the right to make technical changes.**




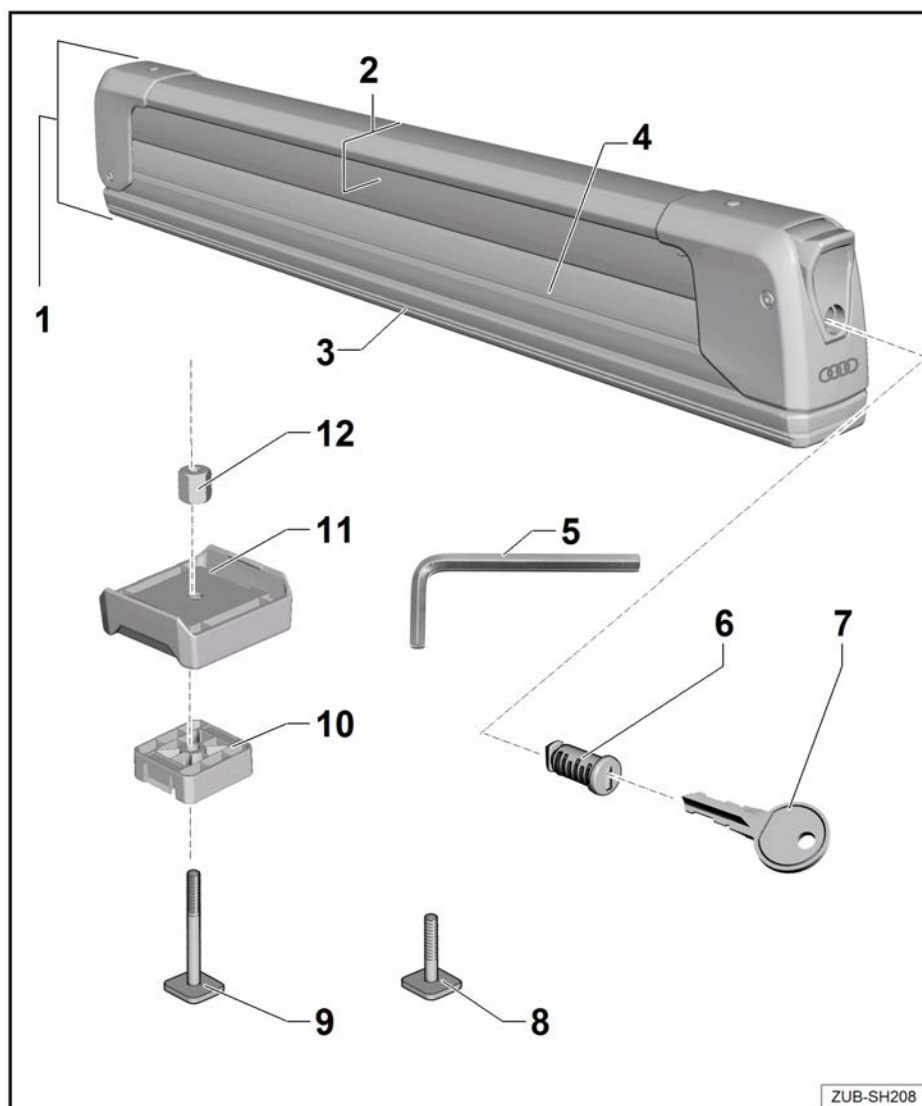
4 Scope of delivery and overview of components

4.1 Scope of delivery

Quantity	Component
2	Ski rack -625 mm-
2	Keys
4	T groove screws -16 mm-
4	T groove screws -31 mm-
4	Nuts (5 mm)
4	Attachment piece -23 mm-
4	Insert for attachment piece -23 mm-

4.2 Overview of components

- 1 - Ski rack (2x)
- 2 - Cover
 - Component pre-installed on ski rack
- 3 - Lower section of ski rack
 - Component pre-installed on ski rack
- 4 - Upper section of the ski rack
 - Component pre-installed on ski rack
- 5 - 5 mm hexagon key (1x)
- 6 - Lock (2x)
- 7 - Key (2x)
- 8 - T groove screw -16 mm- (4x)
-  **Note**
Not required!
- 9 - T groove screw -31 mm- (4x)
- 10 - Insert for attachment piece (4x)
- 11 - Attachment piece (4x)
- 12 - Nuts (4x)
 - 6 Nm

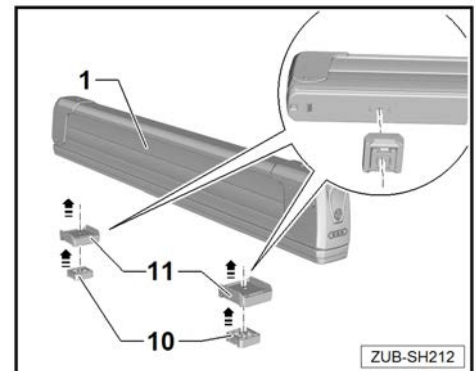




5 Preparatory work on the ski rack

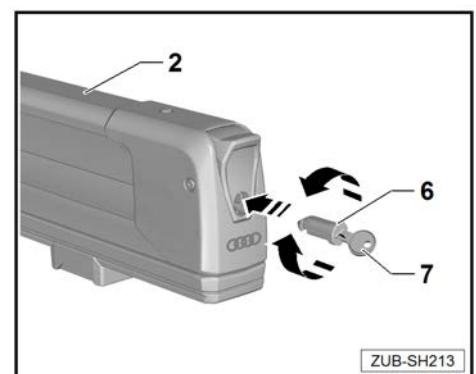
5.1 Mounting the insert for attachment piece and the attachment piece

- Press the insert for attachment piece -10- into the attachment piece -11- until it audibly engages.
- Press the attachment piece -11- on the ski rack -1- until it audibly engages.



5.2 Attaching the lock

- Insert the key -7- in the lock -6-. Insert the lock -6- in the cover -2- with the key in a horizontal position and then -7- turn either left or right using the key.





6 Preparing the carrier unit

WARNING

You can only mount the ski rack if you have first attached the carrier unit to the vehicle.

- Prior to installation, check that you have all of the components from the scope of delivery.
- Open the cover flaps on the carrier unit and remove the profile cover from the profile tube.
- Insert the T groove screws -9- (31 mm) into the groove of the profile tubes on the carrier unit.

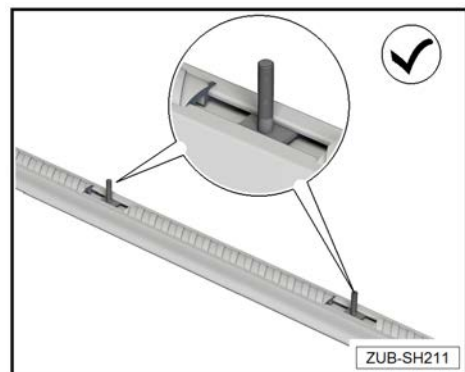
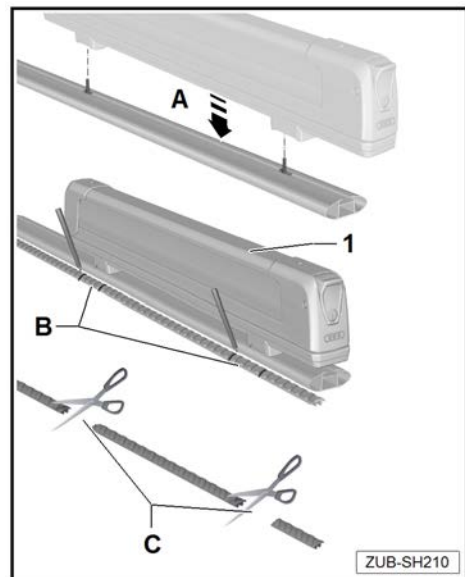
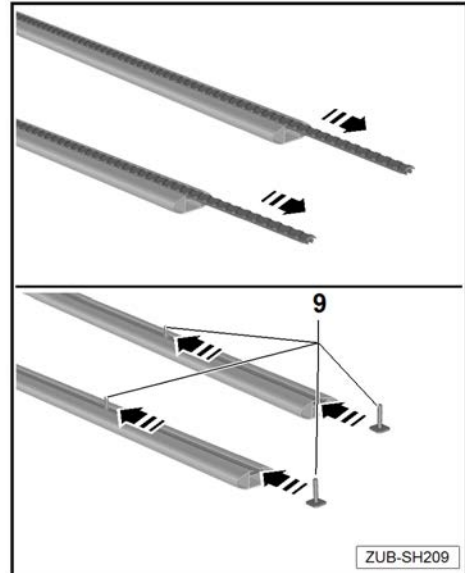
WARNING

Only use the T groove screws with a height of -31 mm-.

Make sure that the -31-mm- T groove screws (2x per carrier unit) are inserted fully into the grooves – risk of accident!

- -A- Place the ski rack onto the T groove screws from above, slide into position and align. When doing so, ensure that the alignment of the ski rack on the carrier unit is identical at the front and rear.
- -B- Hold the profile cover on the profile tube and mark the distances to the left and right of the attachment pieces.
- -C- Cut the profile cover using a suitable workshop tool.

- Remove the ski rack again and mount the profile cover on the profile tube of the carrier unit.



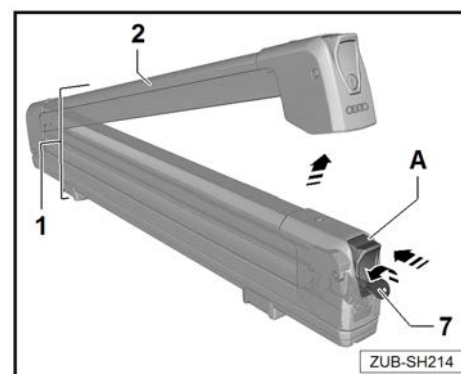


7 Mounting the ski rack on the carrier unit

- Open the lock on the cover -2- of the ski rack -1- using the key -7-, press release button -A- and fold the cover -2- upwards.

⚠ WARNING

The cover -2- is fitted with a spring mechanism and can spring open – risk of accident!

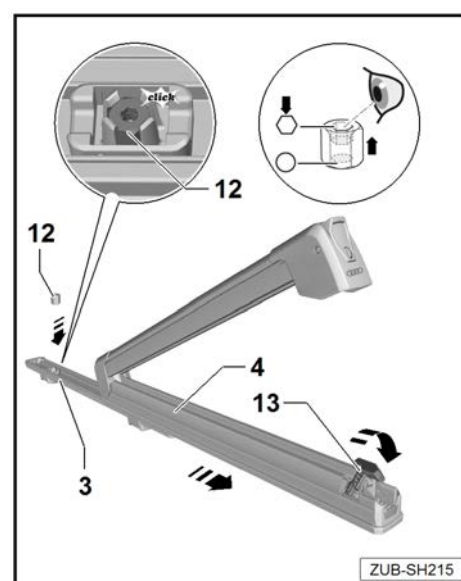


- Hold the lower section of the ski rack -3- in place and pull the upper section of the ski rack -4- forwards in the direction of the arrow-.
- Press the nut -12- into the rear insert until it audibly engages.

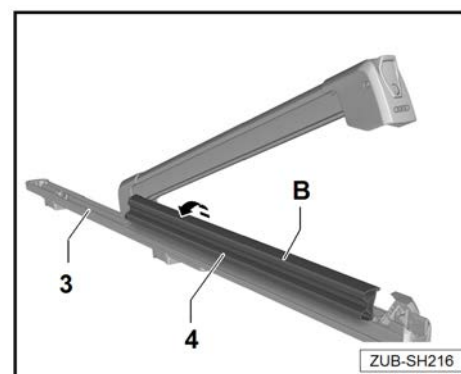
i Note

Make sure that the nut is in the correct position -12-; the hexagon socket must face upwards.

- Tilt the lever -13- on the upper section of the ski rack -4- to the right.
- The upper section of the ski rack -4- is unlocked and can be pulled forwards on the lower section of the ski rack -3- in the direction of the arrow-.



- Unclip the rubber clamp -B- from the upper section of the ski rack -4- and fold it to the side.



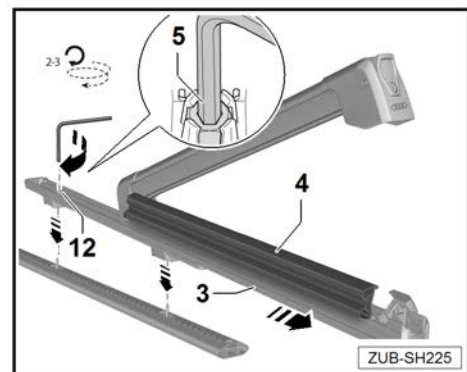
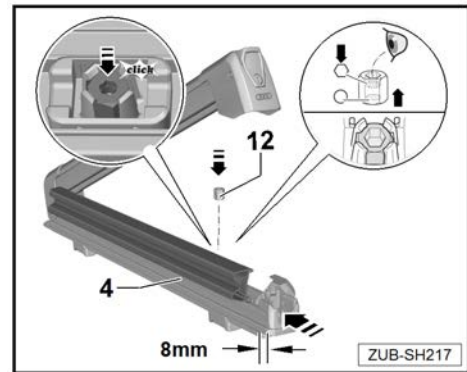


- Move the upper section of the ski rack -4- back again until the bore hole of the ski rack aligns with the nut in the lower section of the ski rack. The distance to the end position of the upper section of the ski rack -4- must be -8 mm-.
- Press the nut -12- into the front insert until it audibly engages.

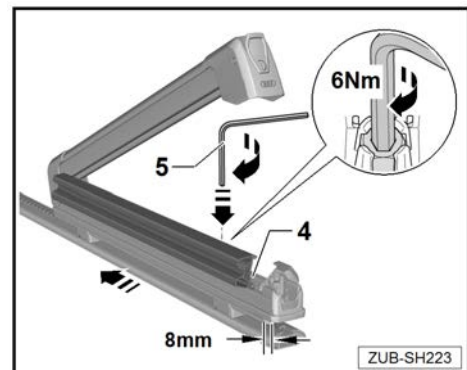
i Note

Make sure that the nut is in the correct position -12-; the hexagon socket must face upwards.

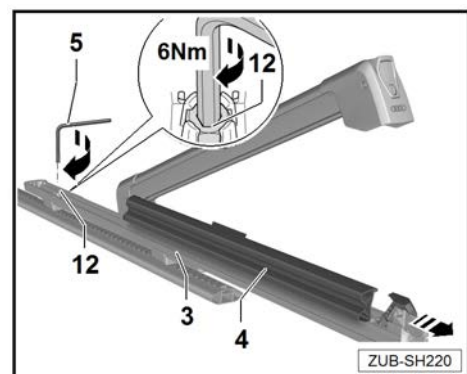
- Hold the lower section of the ski rack -3- in place and pull the upper section of the ski rack -4- forwards in -the direction of the arrow- again.
- Guide the T groove screws through the hole into the ski rack from below.
- Using the hexagon key -5-, tighten the rear nut -12- -by two to three turns-.



- Move the upper section of the ski rack -4- back again until the bore hole of the ski rack aligns with the nut in the lower section of the ski rack. The distance to the end position of the upper section of the ski rack -4- must be -8 mm-.
- Using the hexagon key -5-, tighten the front nut -12- to a -tightening torque of 6 Nm-.



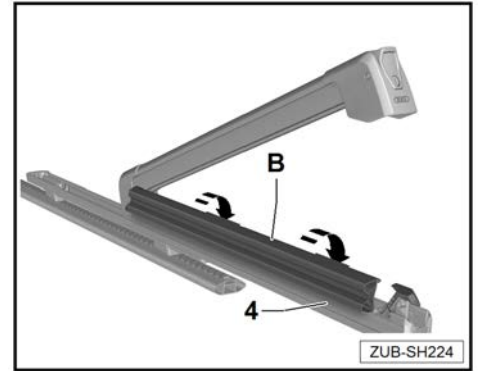
- Hold the lower section of the ski rack -3- in place and pull the upper section of the ski rack -4- forwards in -the direction of the arrow- again.
- Using the hexagon socket screw key -5- tighten the rear nut -12- to a -tightening torque of 6 Nm-.





- Clip the rubber clamp -B- on the upper section of the ski rack -4- in the direction of the arrow- until it audibly engages.

Follow the same process to install the second ski rack.





8 Loading the ski rack

WARNING

Only load the ski/snowboard with the binding facing upwards – risk of damage!

The locking level used depends on the thickness of the winter sports equipment being loaded and may vary from the level used in the examples!

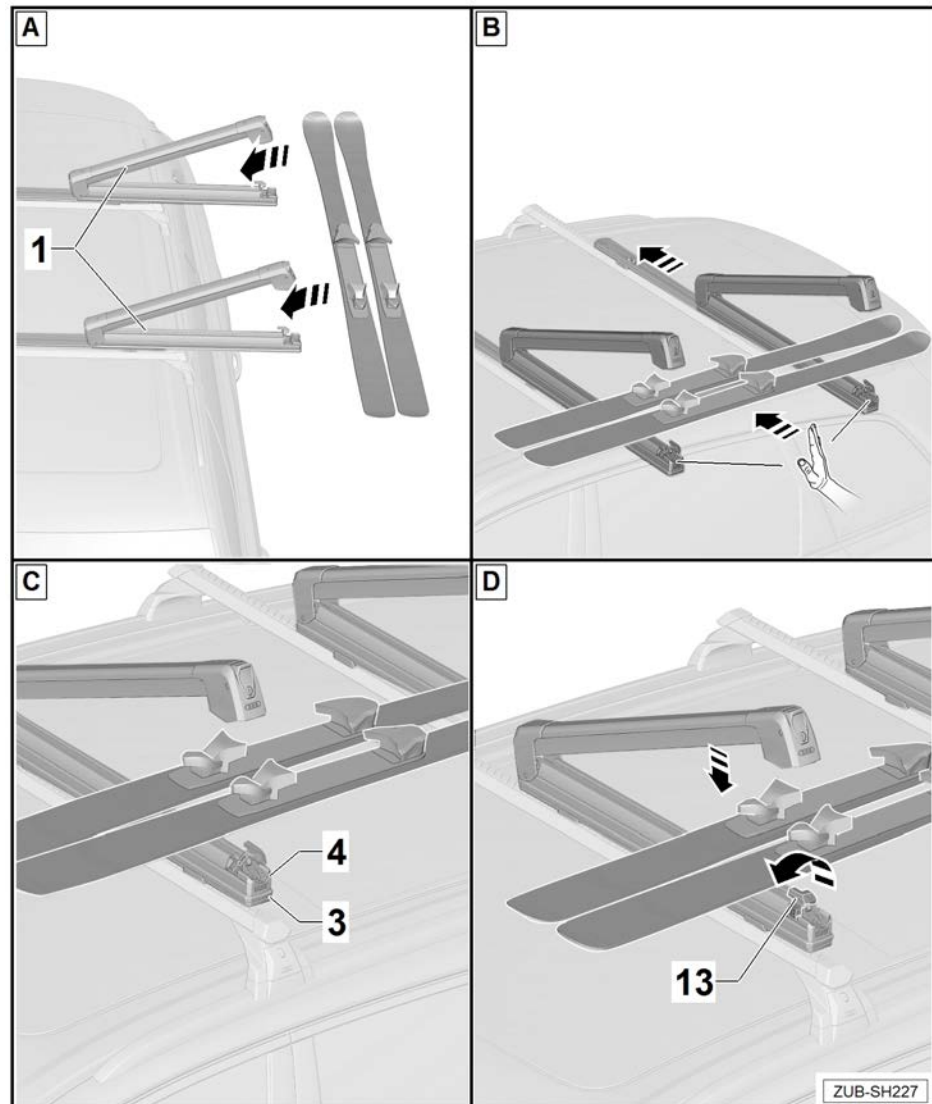
Remove loose parts from skis or snowboards when loading the ski rack. Do not cover skis or snowboards with tarpaulins or protective covers.

Step A - Lie the skis or snowboards on the ski rack -1-.

Step B - Move both open upper sections of the ski rack -4- with the load towards the centre of the roof.

Step C - The upper section of the ski rack -4- and the lower section of the ski rack -3- must then sit flush on the front edge again.

Step D - Tilt the lever -13- back to the left. The ski racks must be locked!



– Push the cover downwards until it audibly engages.

Note

Depending on the thickness of the ski/snowboard, the cover has different locking levels 1 and 2.

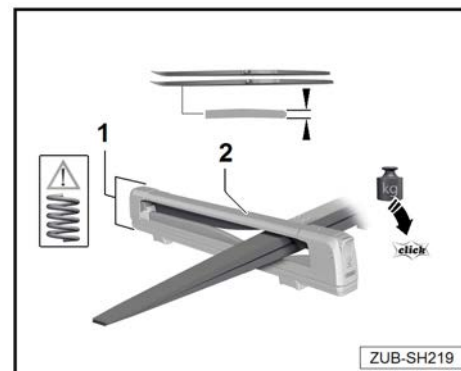


Examples of locking level 1

- Locking level 1 - e.g. for mounting cross-country skis on the ski rack

- ◆ E.g. close the cover -2- as far as the first locking level (one click).

To mount cross-country skis on the ski rack, close the cover as far as the first locking level (one click).

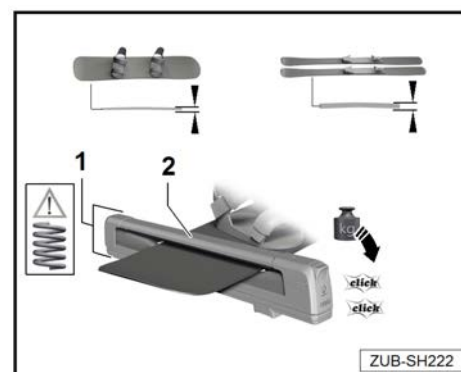


Examples of locking level 2

- Locking level 2 - e.g. for mounting downhill skis/snowboard on the ski rack

- ◆ E.g. close the cover -2- as far as the second locking level (two clicks).

To mount downhill skis and/or snowboards on the ski rack, close the cover as far as the second locking level (two clicks).



Note

Check that the load is securely mounted.

WARNING

If you need to secure different types of skis or snowboards, the cover can be closed to different locking levels (one to two clicks) to prevent the load from slipping.

- Close the lock on the cover of the ski rack using the key.
- Likewise, fold down the cover flaps on the carrier unit and lock them using the key.

Note

If the lock is already closed, you will not be able to lock the ski rack after closing the cover.

WARNING

Before the start of every journey, check that the ski rack is mounted securely on the carrier unit and that the skis or snowboards are mounted securely on the ski rack by shaking the ski rack.

After loading the ski rack, carefully check whether it is still possible to open the panorama glass roof – ski bindings pose a risk of damage!

8.1 Maintenance instructions

WARNING

Do not use any lubricants on the bolted connections.

Failure to comply with these instructions may result in the ski rack becoming detached, causing injury to you or others and/or damage to property.



⚠ Caution

Do not use a high-pressure cleaner to clean the kayak holders.

Ski rack

The ski rack must be cleaned regularly and kept in good order. It is particularly important to remove any dirt and salt in the winter. The ski rack can be cleaned with water.

Locks

The locks must be maintained after several locking cycles have passed, and always after wet cleaning has been performed. This process involves spraying the dust/dirt guard and the inside of the cylinder with an appropriate lubricant and then actuating the lock several times using the key.

8.2 Removing the ski rack from the carrier unit

- The ski rack can be removed by following the above steps in reverse order.