

## Installation instructions

### Audi reversing camera

**Audi A1 2019 ►**

**Audi A3 three-door models 2017 ►**

**Audi A3 Saloon 2017 ►**

**Audi A3 Sportback 2017 ►**

**Audi Q2 2017 ►**

**Audi Q3 2019 ►**

**Audi Q3 Sportback 2019 ►**

### Left-hand-drive and right-hand-drive vehicles

For package number

**83A.054.634.A for A1 2019 ►**

**8V0.054.634 for A3 three-door models 2017 ►**

**8V0.054.634 for A3 Saloon 2017 ►**

**8V0.054.634 for A3 Sportback 2017 ►**

**83A.054.634.A for Q2 2017 ►**

**83A.054.634.A for Q3 2019 ►**

**83A.054.634.A for Q3 Sportback 2019 ►**

**With wiring harness 81A.054.733.A**

### Audi Genuine Accessories

Edition 01



## Contents

<b>1</b>	<b>Notes</b> .....	<b>1</b>
1.1	General notes .....	1
1.2	Safety instructions .....	1
1.3	Repair instructions .....	2
1.3.1	Contact corrosion .....	2
1.3.2	Routing and securing the wiring harness .....	2
<b>2</b>	<b>Scope of delivery</b> .....	<b>3</b>
2.1	Scope of delivery for package 83A.054.634.A .....	3
2.2	Scope of delivery for package 8V0.054.634 .....	3
<b>3</b>	<b>Preparations</b> .....	<b>5</b>
3.1	Disassembling the vehicle .....	5
3.2	Installing the reversing camera on the vehicle .....	5
3.3	Routing the wiring harness to the reversing camera .....	6
3.4	Installing and connecting the connector for the reversing camera wiring harness .....	8
3.5	Wiring harness routing to control unit 1 for information electronics -J794- .....	9
<b>4</b>	<b>Connecting the reversing camera wiring harness</b> .....	<b>11</b>
4.1	Connecting the wiring harness to control unit 1 for information electronics -J794- .....	11
4.2	Connecting the wiring harness 81A.054.733.A to control unit 1 for information electronics -J794- (MIB 2*) .....	13
4.3	Connecting the wiring harness 81A.054.733.A to control unit 1 for information electronics -J794- (MIB 3) .....	15
4.4	Concluding operations .....	16



# 1 Notes

## 1.1 General notes

Please read these instructions carefully and note the Warning, Caution and Note descriptions before installing the Audi reversing camera.

### **DANGER**

Text with this symbol indicates dangerous situations where a failure to comply will result in death or serious injuries.

### **WARNING**

Text with this symbol indicates dangerous situations where a failure to comply could result in death or serious injuries.

### **CAUTION**

Text with this symbol indicates dangerous situations where a failure to comply could result in minor or moderate injuries.

### **NOTICE**

Text with this symbol indicates situations where a failure to comply could result in damage to the vehicle.

#### **TIP:**

Text with this symbol contains important additional information.

**Audi AG shall not accept responsibility in the event of failure to comply with these assembly instructions.**

## 1.2 Safety instructions

### **CAUTION**

Potential hazard to your own safety and that of third parties in the event of failure to comply with the installation instructions and safety instructions.

- Please read these installation instructions carefully before starting installation.

### **NOTICE**

Vehicle damage caused by improper installation.

- All mechanical and electrical connections must be checked to make sure that they are positioned and installed correctly.
- Repairs or the replacement of parts must only be performed by a qualified workshop.

#### **TIP:**



Installation of the Audi reversing camera must be carried out by a specialist workshop. Special tools and supplementary vehicle-specific literature will be needed to perform the installation. Improper installation can cause damage to the vehicle or the Audi reversing camera.

The work to be performed on the vehicle, as detailed in these fitting instructions, may change as a result of measures to upgrade models. Consequently, modifications to connectors, wire colours or even the fitting location, for instance, should not be ruled out. For this reason, make sure that you always refer to the most current wiring diagram and/or the current repair manuals for the vehicle.

We reserve the right to make technical changes.

## 1.3 Repair instructions

### 1.3.1 Contact corrosion

Contact corrosion can occur when unsuitable connecting elements (screws, nuts, washers) are used.

For this reason, only connecting elements with a special surface coating are fitted.

Additionally, rubber or plastic parts and adhesives are made of materials that are not electrically conductive.

If you are in any doubt about the suitability of parts, use new parts as a general rule ⇒ Electronic parts catalogue.

#### **Please note:**

- ◆ We recommend using only genuine spare parts; these parts have been tested and are compatible with aluminium.
- ◆ We recommend using Audi Genuine Accessories.
- ◆ Damage caused by contact corrosion is not covered by the warranty.

### 1.3.2 Routing and securing the wiring harness

#### **CAUTION**

**Impairment of airbag function by improper routing or damage to wires.**

- **Observe the safety instructions for pyrotechnic components (see repair group 69).**
- **During installation, ensure that the airbag does not become trapped.**
- **Route the retrofit wiring harness behind the airbag and secure accordingly.**
- **Due to the limited space available, make sure that there is adequate clearance in relation to all moving components.**



## 2 Scope of delivery

### 2.1 Scope of delivery for package 83A.054.634.A

Applies to Audi A1 2019 ►, Audi Q2 2017 ►, Q3 2019 ► and Q3 Sportback 2019 ► Left-hand drive and right-hand drive vehicles

Quantity	Component	Part number
1	Reversing camera	81A.827.566.A
1	Wiring harness	81A.054.733.A
1	Activation document	4M0.054.800

Scope of delivery for corresponding wiring harness  
81A.054.733.A

Quantity	Component	Part number
1	Wiring harness	
1	Connector housing	5C6.973.752 <sup>1)</sup>
1	Connector housing	1C0.973.119.B <sup>1)</sup>
1	Connector housing for video wiring	6Q0.035.576.F <sup>1)</sup>
1	Connector housing for 8-pin connector	8K0.971.833 <sup>1)</sup>
1	Connector housing for 2-pin connector	4B0.972.623 <sup>1)</sup>
1	Video wire adapter; length approx. 10 cm	
25	Cable ties	
2	Foam grommet	

<sup>1)</sup> in PE bag on the wiring harness.

### 2.2 Scope of delivery for package 8V0.054.634

Applies to Audi A3 three-door models, A3 Saloon, A3 Sportback left-hand-drive and right-hand-drive

Quantity	Component	Part number
1	Reversing camera with handle button	8V0.827.566.B
1	Wiring harness	81A.054.733.A
1	Activation document	4M0.054.800

Scope of delivery for corresponding wiring harness  
81A.054.733.A

Quantity	Component	Part number
1	Wiring harness	
1	Connector housing	5C6.973.752 <sup>1)</sup>
1	Connector housing	1C0.973.119.B <sup>1)</sup>



Quantity	Component	Part number
1	Connector housing for video wiring	6Q0.035.576.F <sup>1)</sup>
1	Connector housing for 8-pin connector	8K0.971.833 <sup>1)</sup>
1	Connector housing for 2-pin connector	4B0.972.623 <sup>1), 2)</sup>
1	Video wire adapter; length approx. 10 cm	<sup>2)</sup>
25	Cable ties	
2	Foam grommet	

<sup>1)</sup> in PE bag on the wiring harness.

<sup>2)</sup> Not required.



## 3 Preparations

### 3.1 Disassembling the vehicle

#### ELSA (Electronic Service Information System) reference

- Disconnect the battery. ⇒ Electrical system; Rep. gr. 27; Battery; Disconnecting and connecting the battery
- Remove the glove compartment. ⇒ General body repairs, interior; Rep. gr. 68; Glove compartment; Removing and installing the glove compartment
- Remove the control unit for the Multi Media Interface. ⇒ Communication; Rep. gr. 91; Infotainment system; Removing and installing control unit 1 for information electronics
- Remove the A-pillar trim on the passenger side. ⇒ General body repairs, interior; Rep. gr. 70; Interior trims; Removing and installing the A-pillar trim
- Remove the footwell trim on the passenger side. ⇒ General body repairs, interior; Rep. gr. 68; Interior trims; Removing and installing the footwell trim
- Remove the front sill panel trim on the passenger side. ⇒ General body repairs, interior; Rep. gr. 70; Interior trims; Removing and installing the sill panel trim
- Remove the B-pillar trim on the passenger side. ⇒ General body repairs, interior; Rep. gr. 70; Interior trims; Removing and installing the B-pillar trim on the passenger side
- Remove the rear sill panel trim on the passenger side. ⇒ General body repairs, interior; Rep. gr. 70; Interior trims; Removing and installing the sill panel trim
- Remove the bench seat/individual seats ⇒ General body repairs, interior; Rep. gr. 72; Rear bench seat; Removing and installing the bench seat/individual seats
- Remove the C-pillar trim on the passenger side. ⇒ General body repairs, interior; Rep. gr. 70; Interior trims; Removing and installing the C-pillar
- Remove the luggage compartment side trim on the passenger side ⇒ General body repairs, interior; Rep. gr. 70; Luggage compartment trims; Removing and installing the luggage compartment side trim
- Remove the rear lid trim. ⇒ General body repairs, interior; Rep. gr. 70; Luggage compartment trim; Removing and installing the rear lid trim

#### Applies to the Audi A3 Saloon

- If necessary, remove the anti-theft device for the reversing camera. ⇒ Communication; Rep. gr. 91; Infotainment; Removing and installing the reversing camera

### 3.2 Installing the reversing camera on the vehicle

#### Applies only to Audi A1, Q2, Q3 and Q3 Sportback

- Install the reversing camera in the button for actuating the lid lock.
- Install the button with pre-assembled reversing camera.

#### Applies only to Audi A3 three-door models, A3 Saloon and A3 Sportback left-hand-drive vehicles

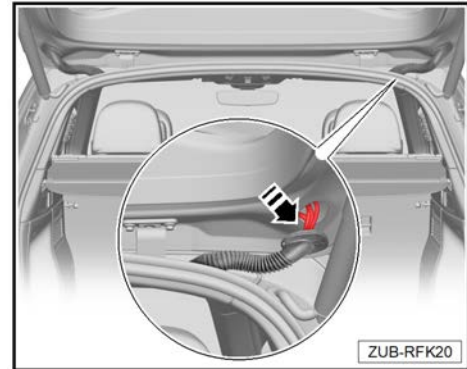
- Replace the old handle trim with the supplied handle trim.
- Install the reversing camera in the new handle trim for actuating the lid lock.



### 3.3 Routing the wiring harness to the reversing camera

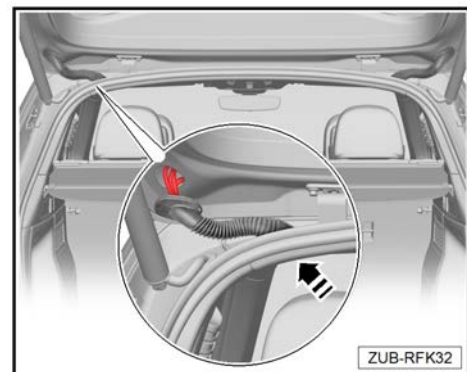
**Applies only to Audi A1, Q2, Q3 and Q3 Sportback, A3 three-door models, A3 Sportback left-hand-drive vehicles**

- Route the wiring harness with the connectors for the reversing camera from the vehicle interior via the grommet into the rear lid.



**Applies only to Audi A1, Q2, Q3 and Q3 Sportback, A3 three-door models, A3 Sportback right-hand-drive vehicles**

- Route the wiring harness with the connectors for the reversing camera from the vehicle interior via the grommet into the rear lid.



**Applies to Audi A3 Saloon left-hand-drive and right-hand-drive vehicles**

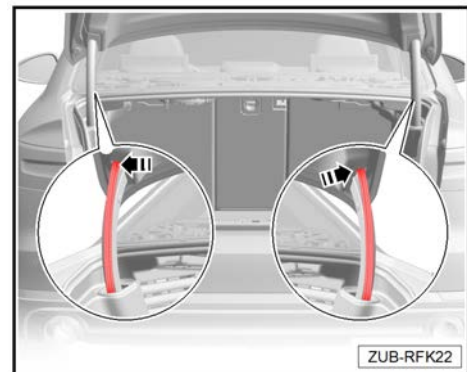
- Route the retrofit wiring harness to the position of the reversing camera and, from there, continue over the rear lid hinge into the vehicle interior.

**TIP:**

Depending on the vehicle variant, a standard wiring harness may or may not be routed on the rear lid hinge.

If a standard wiring harness is present, secure the retrofit wiring harness for the reversing camera to the standard wiring harness using the cable ties.

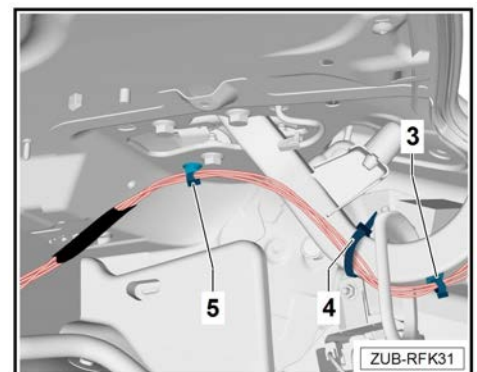
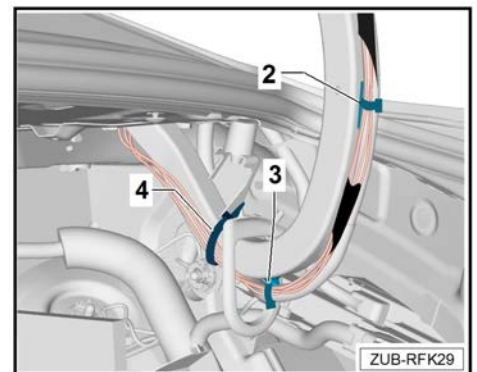
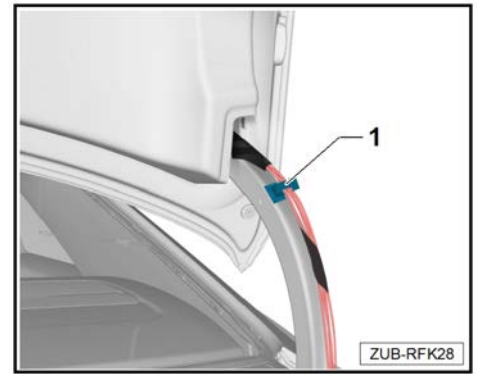
If no standard wiring harness is present, secure the retrofit wiring harness for the reversing camera as follows:





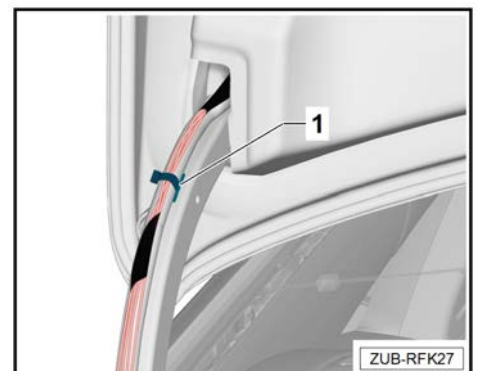
### Applies to Audi A3 Saloon left-hand drive vehicles

- Place an adhesive pad -1- along the rear lid hinge and secure the retrofit wiring harness using a cable tie.
- Route the retrofit wiring harness for the reversing camera further along the rear lid hinge and secure it in place using adhesive pads -2 and 3- and cable ties.
- Also secure the retrofit wiring harness for the reversing camera at the side on the rear lid hinge using a cable tie -4- to prevent the retrofit wiring harness being damaged by the return spring of the rear lid.
- Secure the retrofit wiring harness for the reversing camera at the top of the vehicle interior using an adhesive pad -5- and a cable tie.
- Route the retrofit wiring harness further to the next standard wiring harness and secure the retrofit wiring harness using cable ties.



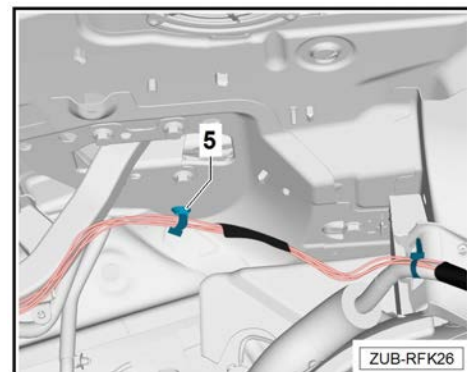
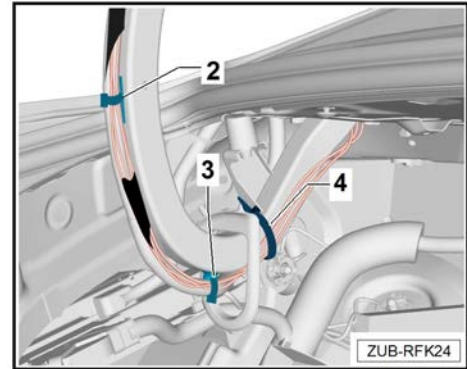
### Applies to Audi A3 Saloon right-hand-drive vehicles

- Place an adhesive pad -1- along the rear lid hinge and secure the retrofit wiring harness using a cable tie.





- Route the retrofit wiring harness for the reversing camera further along the rear lid hinge and secure it in place using adhesive pads -2 and 3- and cable ties.
- Also secure the retrofit wiring harness for the reversing camera at the side on the rear lid hinge using a cable tie -4- to prevent the retrofit wiring harness being damaged by the return spring of the rear lid.
  
- Secure the retrofit wiring harness for the reversing camera at the top of the vehicle interior using an adhesive pad -5- and a cable tie.
- Route the retrofit wiring harness further to the next standard wiring harness and secure the retrofit wiring harness using cable ties.



### 3.4 Installing and connecting the connector for the reversing camera wiring harness

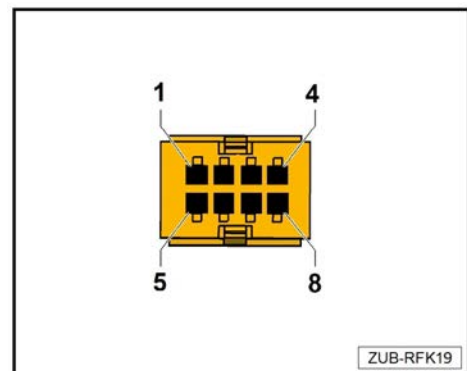
#### Applies to all vehicles

- Insert the loose wire for video transmission into the supplied connector housing 6Q0 035 576 F.
- Insert the four loose wires for the power supply to the reversing camera into the supplied 8-pin connector housing 8K0 971 833 as follows.

#### TIP

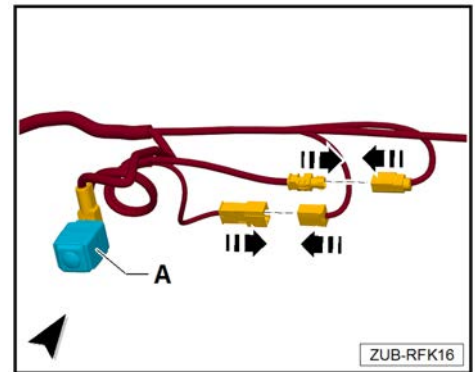
Figure shows the pin side of connector 8K0 971 833.

- ◆ Red/yellow wire into PIN 1
- ◆ Orange/grey wire into PIN 4
- ◆ Brown wire into PIN 5
- ◆ Orange/brown wire into PIN 8





- Fit foam grommets over the two connectors for the reversing camera.
- Connect the two connectors for video transmission on the wiring harness to the reversing camera -A- in the -direction of the arrow-.
- Secure the connectors using foam grommets and cable ties to prevent noise from developing.
- Secure the wiring harness using cable ties to prevent noise from developing.



### 3.5 Wiring harness routing to control unit 1 for information electronics -J794-

#### Left-hand drive vehicles

- Route the reversing camera system wiring harness from the lead-through on the passenger side along the standard wiring harness via the C-pillar and B-pillar to the position of control unit 1 for information electronics -J794- -B-.
- Secure the wiring harness for the reversing camera to the standard wiring harness along its entire length using cable ties and secure to prevent noise from developing.





### Right-hand drive vehicles

- Route the reversing camera system wiring harness from the lead-through on the passenger side along the standard wiring harness via the C-pillar and B-pillar to the position of control unit 1 for information electronics -J794- -B-.
- Secure the wiring harness for the reversing camera to the standard wiring harness along its entire length using cable ties and secure to prevent noise from developing.





## 4 Connecting the reversing camera wiring harness

### 4.1 Connecting the wiring harness to control unit 1 for information electronics -J794-

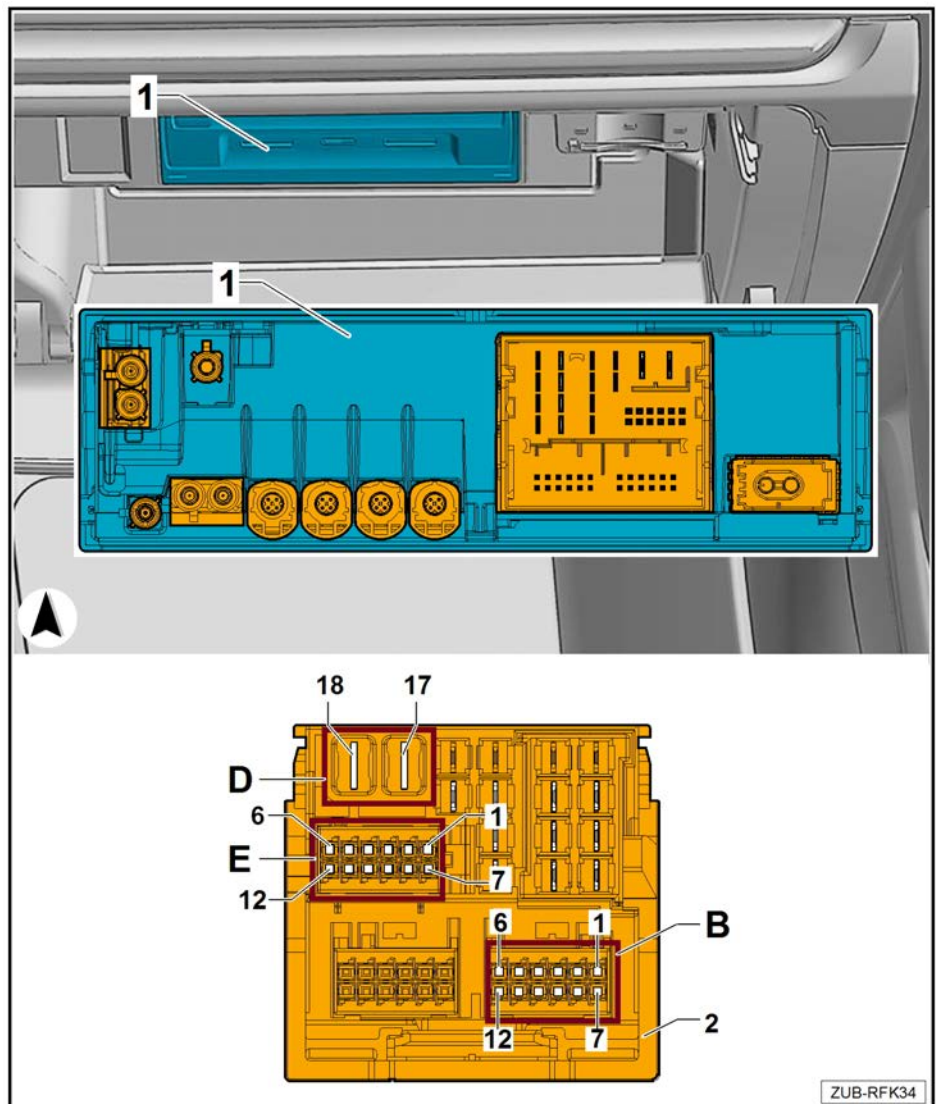
Connecting the CAN signal to control unit 1 for information electronics -J794- connector -2 area E-

#### ! NOTICE

For vehicles where chambers 6 and 12 on connector -2 area E- are not occupied by pins (wires), the loose wires (orange/brown for chamber 30 and <sup>1)</sup> for chamber 12) from the reversing camera retrofit wiring harness must be pinned directly into connector -2 area E-.

- Insert the enclosed connector housing (1C0.973.119.B) into the black connector housing (3D0.973.332) on the reversing camera retrofit wiring harness as contact protection, attach the cables to the wiring harness and secure them to prevent noise.

- Unclip the connector -2- from control unit 1 for information electronics -J794-.



- Individually unpin connector -2 area E- from the following compartment:

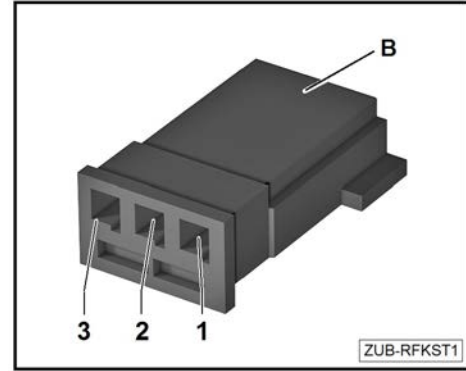


Unpin compartment 12.

- Pin the unpinned contact -12- into the connector housing provided (1C0.973.119.B) in compartment -1-.
- Pin the loose orange/brown wire on the reversing camera system wiring harness into the free compartment -12- in connector -2 area E-.

Unpin compartment 6.

- Pin the unpinned contact -6- into the connector housing provided (1C0.973.119.B) in compartment -3- and insert the connector housing into the corresponding connector on the wiring harness.
- Pin the loose wire on the reversing camera system wiring harness <sup>1)</sup> into the free compartment -6- in connector -2 area E-.



<sup>1)</sup> Wire colour may vary in accordance with Elsa (VW Group database for wiring diagrams).

## 4.2 Connecting the wiring harness 81A.054.733.A to control unit 1 for information electronics -J794- (MIB 2\*)

Connecting the power supply to control unit 1 for information electronics -J794- connector -2 area D-

### NOTICE

Applies to Audi A1 2019 ► (PR no. I8T, I8V), A3 three-door models 2017 ► (PR no. I8E, I8S, I8L), A3 Saloon 2017 ► (PR no. I8E, I8S, I8L), A3 Sportback 2017 ► (PR no. I8E, I8S, I8L), Q3 2019 ► (PR no. I8T, I8V), Q3 Sportback 2019 ► (PR no. I8T, I8V), Audi Q2 2017 ► (MIB 2\*)

- The video wire adapter (length 10 cm) included with wiring harness 81A.054.733.A is not required for these model years.
- For Audi A1 2019 ► (PR no. I8W, I8Y), Q2 2017 ► (PR no. I8Y), Q3 2019 ► (PR no. I8W, I8Y) and Q3 Sportback 2019 ► (PR no. I8W, I8Y) with (MIB 3), see section 4.3.

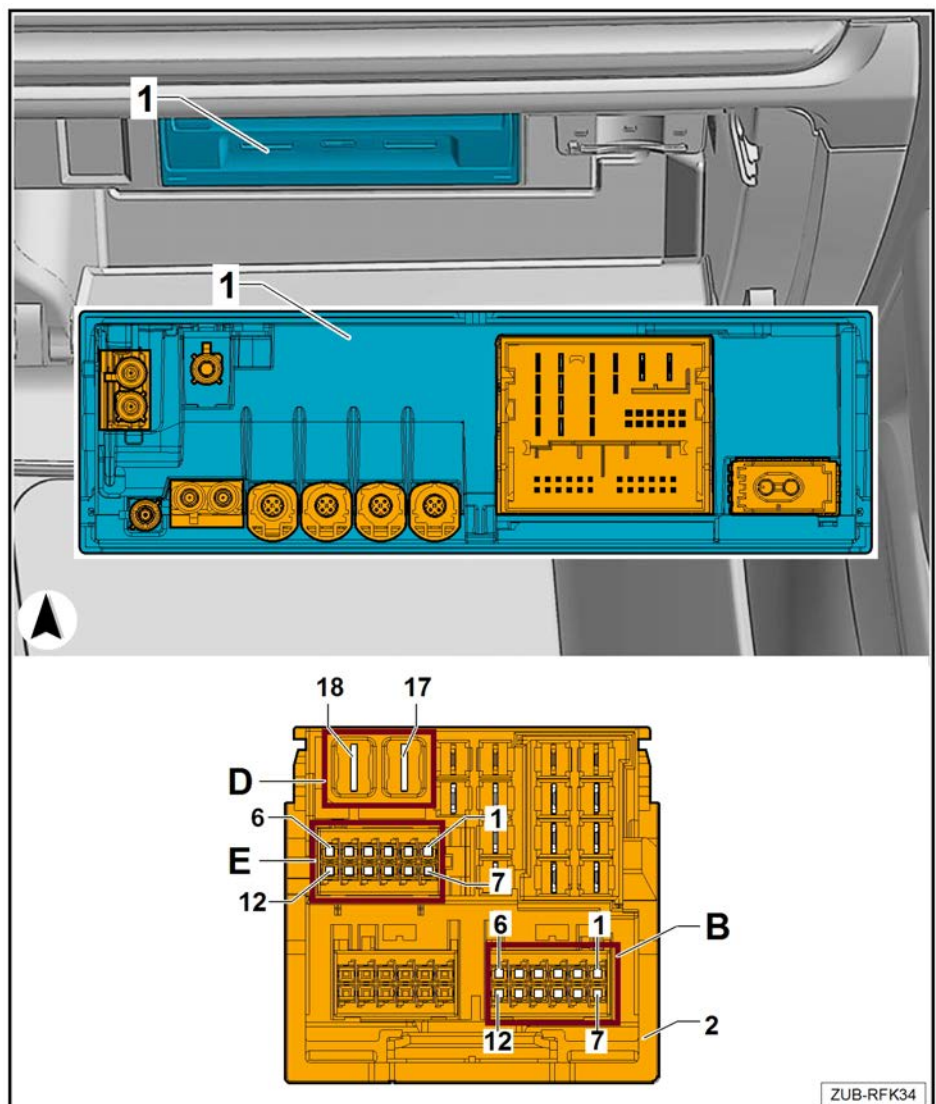
- Unclip the connector -2- from control unit 1 for information electronics -J794-.
- Individually unpin the following compartments on connector -2 area D-

- Unpin compartment 17.
- Pin the unpinned contact -17- into the connector housing provided (5C6.973.752) in compartment -1-.

- Pin the loose brown wire on the reversing camera wiring harness into the free compartment -17- in connector -2 area D-
- Pin the loose brown wire on the reversing camera wiring harness into the free compartment -17- in connector -2 area D-

- Unpin chamber 18.
- Pin the unpinned contact -18- into the connector housing provided (5C6.973.752) in compartment -2- and insert the connector housing into the corresponding connector on the wiring harness.

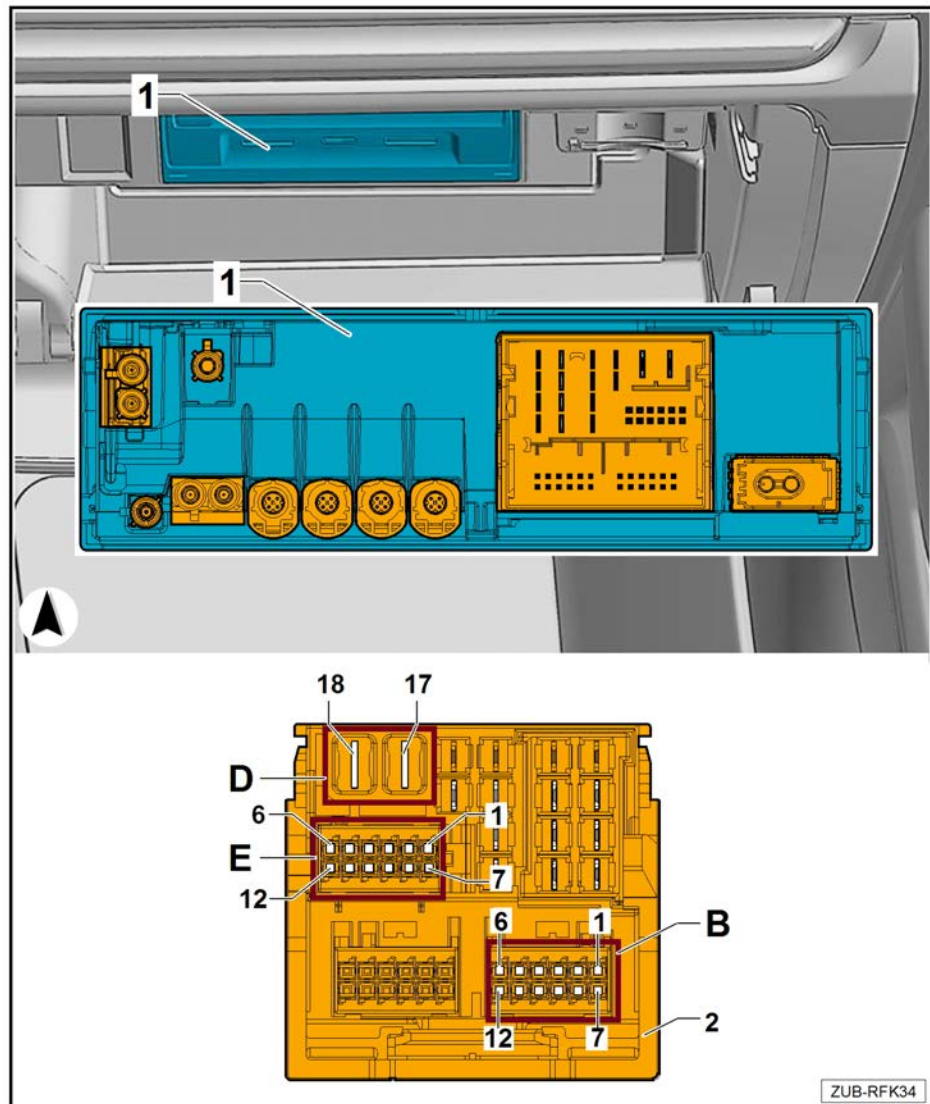
- Pin the loose red/yellow wire on the reversing camera wiring harness into the free compartment -18- in connector -2 area D-





### Connecting the video signal to control unit 1 for information electronics -J794- connector -2 area B-

- Pin the loose white -Video Out- wire on the reversing camera wiring harness into the free compartment -6 In Plus- in connector -2 area B-.
- Pin the loose black -Video Out GND- wire on the reversing camera wiring harness into the free compartment -12 In Minus- in connector -2 area B-.
- Reinsert the connector -2- back into control unit 1 for information electronics -J794- and lock in place.



ZUB-RFK34

### 4.3 Connecting the wiring harness 81A.054.733.A to control unit 1 for information electronics -J794- (MIB 3)

Connecting to control unit 1 for information electronics -J794- connector -2 area D-

#### NOTICE

For the Audi A1 2019 ► (PR no. I8W, I8Y), Audi Q2 2017 ► (PR no. I8Y), Audi Q3 2019 ► (PR no. I8W, I8Y) and Q3 Sportback 2019 ► (PR no. I8W, I8Y) vehicles, the 81A.054.733.A wiring harness is installed together with the video cable adapter.

- Unclip the connector -2- from control unit 1 for information electronics -J794-.

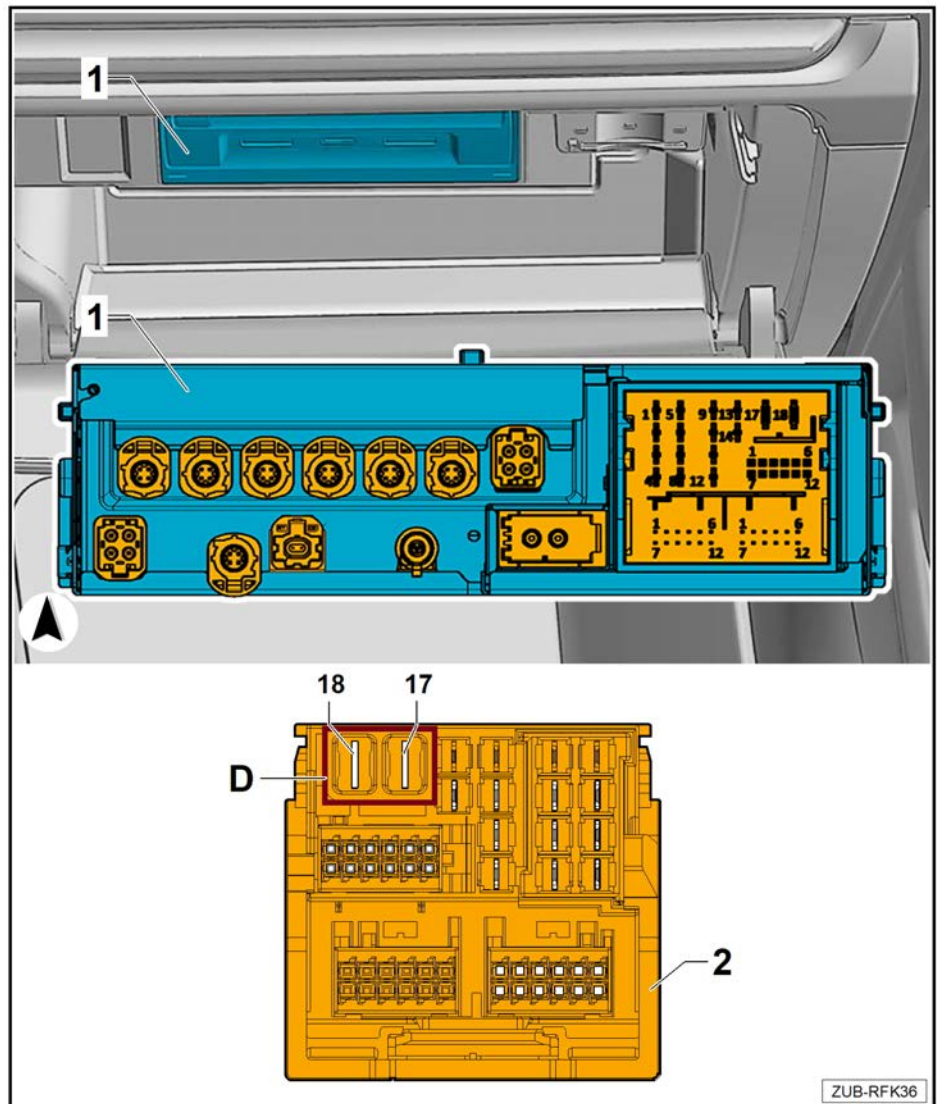
- Individually unpin the following compartments on connector -2 area D-

Unpin compartment 17.

- Pin the unpinned contact -17- into the connector housing provided (5C6.973.752) in compartment -1-.
- Pin the loose brown wire on the reversing camera wiring harness into the free compartment -17- in connector -2 area D-.

Unpin chamber 18.

- Pin the unpinned contact -18- into the connector housing provided (5C6.973.752) in compartment -2- and insert the connector housing into the corresponding connector on the wiring harness.
- Pin the loose red/ yellow wire on the reversing camera wiring harness into the free compartment -18- in connector -2 area D-.
- Reinsert the connector -2- back into control unit 1 for information electronics -J794- and lock in place.

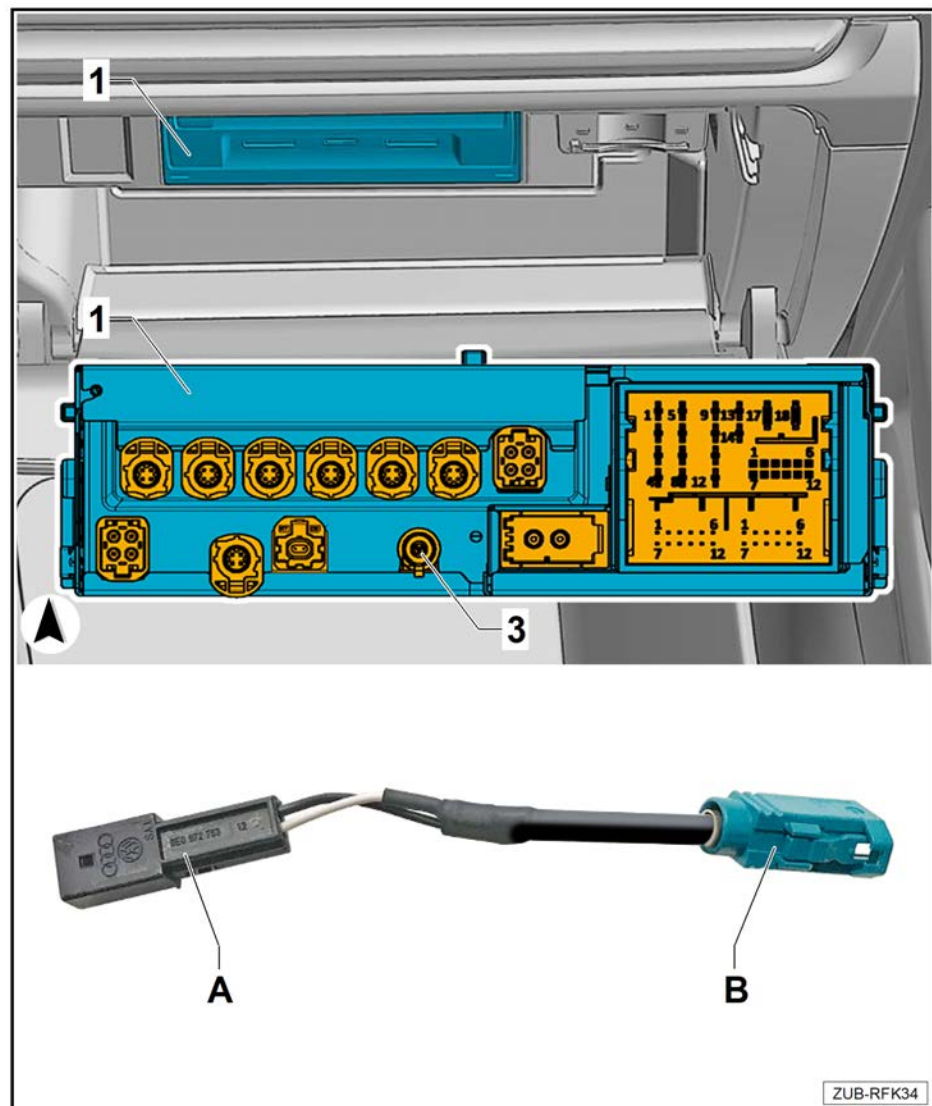


ZUB-RFK36

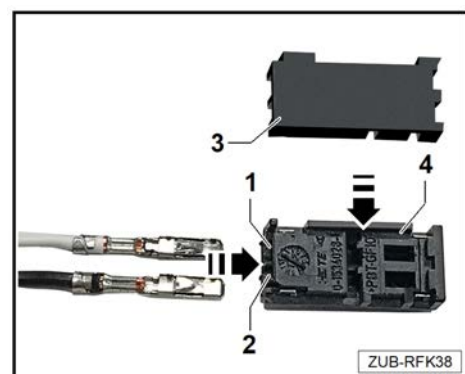


### Connection to control unit 1 for information electronics -J794- on the connector -3-

- Connect the connector -B- of the short wire adapter to the connection -3- on control unit 1 for information electronics -J794-.



- Pin the loose white -Video Out- wire on the reversing camera wiring harness into the free compartment -1- of the connector housing 4B0 972 623 included in the scope of delivery.
- Pin the loose black -Video Out GND- wire on the reversing camera wiring harness into the free compartment -2- of the connector housing 4B0 972 623 included in the scope of delivery.
- Clip the cover -3- onto the connector housing 4B0 972 623 -4-, making sure that it clicks into place.
- Connect the pinned connector housing to the connector -A- of the video wire adapter.



## 4.4 Concluding operations

- Reassemble the vehicle by following these steps in reverse order.
- Connect the battery. ⇒ Electrical system; Rep. gr. 27; Battery; Disconnecting and connecting the battery



---

**If the battery is being reconnected, the following steps must be taken:**

- ◆ Activate the one-touch opening and closing of the electric windows ⇒ operating instructions.

**TIP**

After reconnecting the power supply, the ESP warning light can only extinguish after a few metres have been driven.

- Perform the activation procedure for the reversing camera.
- Perform the calibration procedure for the reversing camera. ⇒ Driving assistance systems; Rep. gr. 98; Reversing camera system; Calibrating the reversing camera system.
- Perform a function test for the reversing camera and the PDC.
- Clear the fault memory.